

Digital pressure gauge // B2

-1...2500 bar



B2



B2
with integrated
measuring instrument



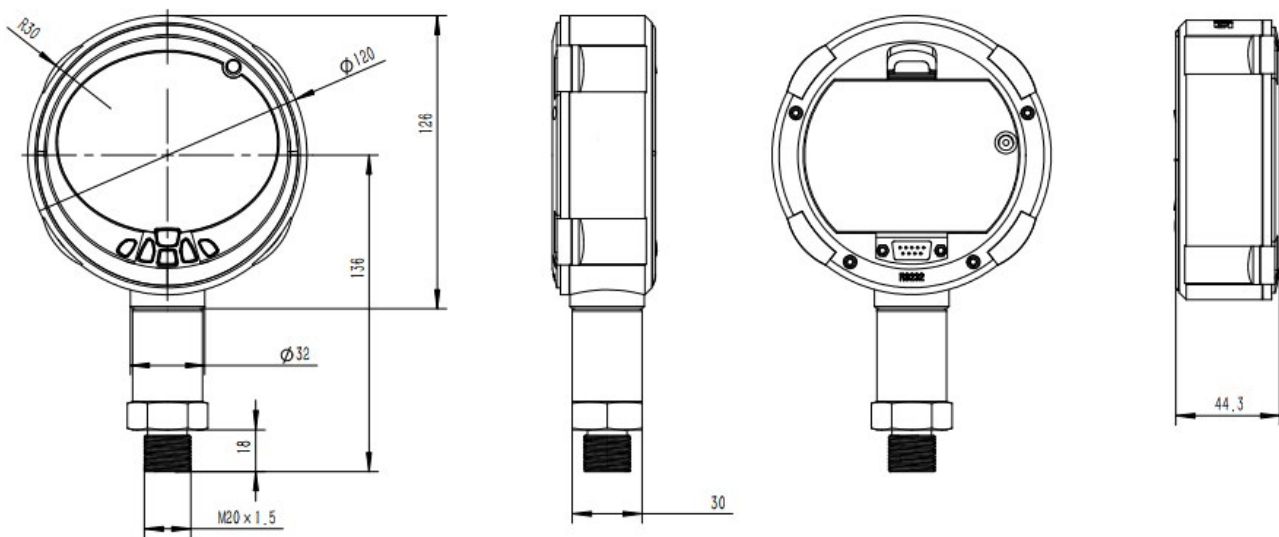
Precise and clear

- Optimised for use as a reference pressure gauge for pressure calibrators or as a precise measuring instrument
- 28 pressure ranges, 3 accuracy classes
- 11 switchable pressure units: kg/cm², inHg, inH₂O, Pa, kPa, MPa, bar, mbar, psi, mmHg, mmH₂O
- Optional with measurement inputs for standard signals, HART
- Two-line display of reference value and test item value via measurement input
- Rechargeable battery with charger included
- Digital bar graph & temperature display
- Backlighting

Technical data

Technical data			
Type	B2		
Pressure ranges	Between -1..2500 bar		
Accuracy (\pm of full scale value)	$\pm 0.02\%$	$\pm 0.05\%$	$\pm 0,1\%$
Units			
Pressure	bar / mbar, Pa, kPa / MPa, PSI, kg/cm ² , inHg, inH ₂ O, mmH ₂ O, mmHg		
Display			
Type	Multifunctional LCD, 5 ½ digit, with background lighting		
Functions	Bar graph, display of time and date, temperature, battery status		
Measuring system			
Pressure measuring cell	Piezo resistive		
Overpressure safety	1.2-fold Pmax		
Temperature compensation	0...50 °C		
Measuring rate actual value	10 ms		
Measuring rate bar graph	250 ms (without int. measuring instrument) / 100 ms (with int. measuring instrument)		
Process connection			
Thread ISO 1179-2	G¼ (up to 1000 bar), NPT ¼ (up to 1000 bar), M20 x 1.5 (from 1600 bar)		
Material	Stainless steel 1.4301		
Housing			
Dimensions	Ø 120 mm, D=30 mm H=196 mm with protection cap		
Weight	0.7 kg		
Power supply			
Battery type	Built-in battery, rechargeable, charger included		
Battery operation	40...700 hours with one battery charge		
Certificate (optional)			
DAkKS certificate, works test certificate			

Technical drawings



Article numbers

Order code				
Input channels				
Without	EME8RB2-			
With	EME8RB2i			
Accuracy				
0.02 % of full scale value		2		
0.05 % of full scale value		5		
0.1 % of full scale value		1		
Pressure range [bar]				
-1...1 (±0.02% or ±0.05%)			001	
-1...2.5 (±0.02% or ±0.05%)			002	
-1...6 (±0.02% or ±0.05%)			006	
-1...10 (±0.02% or ±0.05%)			010	
-1...16 (±0.02% or ±0.05%)			016	
-1...25 (±0.02% or ±0.05%)			025	
-1...40 (±0.02% or ±0.05%)			040	
-1...60 (±0.02% or ±0.05%)			060	
0...100 (±0.02% or ±0.05%)			100	
0...160 (±0.02% or ±0.05%)			160	
0...250 (±0.02% or ±0.05%)			250	
0...400 (±0.02% or ±0.05%)			400	
0...600 (±0.02% or ±0.05%)			600	
0...1000 (±0.05%)			1K0	
0...1600 (±0.1%)			1K6	
0...2500 (±0.1%)			2K5	
Connection thread				
G1/4 (up to 1000 bar)				G
1/4 NPT (up to 1000 bar)				N
M20 x 1.5 (from 1600 bar)				M
Example order number	EME8RB2-	2	001	G

Accessories

Accessories	Order number
SIKA-Works calibration certificate, 10 calibration points (up to 1200 bar)	EKDRUCK000000W
DAkKS calibration certificate, 10 calibration points (no vacuum, up to 1200 bar)	EKDRUCK000000D