



## QUICK GUIDE PRESSURE TRANSMITTERS SERIES

23, PD-23, 25  
22M, 22S  
21C, 23C, 25C  
23SX, 23SXc, PD-23X, 33X, PD-33X  
35X, 35XHT, 35XHTT, 35XHTC  
PD-39X, PRD-33X, 41X, PD-41X  
21Y, 21PY, 23SY, 25Y, 25SY  
M5HB, M8coolHB, 21PHB, 23SHB, 25HB  
21Zio, 23SZio, 23SXio

and various other custom and application specific series



## CONTACT

KELLER Druckmesstechnik AG St. Gallerstrasse 119 CH-8404 Winterthur Tel. +41 52 235 25 25 info@keller-druck.com	KELLER Gesellschaft für Druckmesstechnik mbH Schwarzwaldstrasse 17 DE-79798 Jestetten Tel. +49 7745 9214 0 sales.eu@keller-druck.com
--	---

This quick guide is an extract from the detailed operating instructions for pressure transmitters, which can be found at [www.keller-pressure.com](http://www.keller-pressure.com) for the respective product.

## DISCLAIMER

KELLER accepts no liability in case of improper use, damage or modification to the device or failure to observe this quick guide.

## INTENDED USE

- Pressure transmitters are used to convert a pressure into a standardised electrical signal.
- Make sure that the device is suitable for your corresponding application. Please get in touch with your direct sales contact if you are unsure of anything.
- The technical specifications listed in the data sheet are only binding insofar as no other agreements have been made.

## PRODUCT IDENTIFICATION

<b>KELLER</b>		SWISS MADE		CE
Type	PR-21Y	1:	GND	 15/22
Range	-1...30 bar	2:	+OUT	
Output	0...10 V	3:	+Vs	
Supply	8...32 VDC	P/N	222155.0279	

Example of label

The label and the specifications on the product serve to identify it. The laser engraving or adhesive label typically contain the following details:

- Product number
- Type designation
- Pressure range
- Output signal
- Supply voltage
- Electrical connections
- Production date

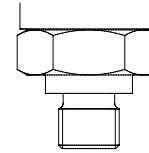
Products with a serial number display this on the metal housing.

## MOUNTING

- ⚠ **DANGER:** The device may only be installed on systems that are depressurised and de-energised.
- ⚠ **WARNING:** For oxygen applications, only the pressure transmitters intended for this purpose and marked accordingly may be used.
- ⚠ **WARNING:** The device must not be used in hazardous areas.

- ✓ Ensure no damage is done to the diaphragm. Flush diaphragm pressure connections are to be treated with particular caution. Even tiny deformations can produce an incorrect measurement result.
- ✓ For pressure transmitters with a pressure range > 60 bar a residual amount of oil may remain on the pressure connection.
- ✓ When installing outside, make sure that no moisture can penetrate the device.
- ✓ KELLER pressure transmitters do not require any maintenance. However, annual calibration is recommended for high-precision transmitters.

## PRESSURE CONNECTION



Example of a pressure connection

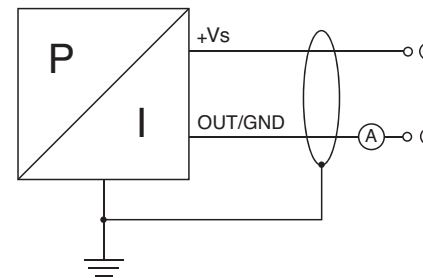
- ✓ Use suitable tools for installation.
- ✓ Make sure to seal the pressure transmitter correctly.
- ✓ Tighten the pressure transmitter with the appropriate amount.

## ELECTRICAL INSTALLATION

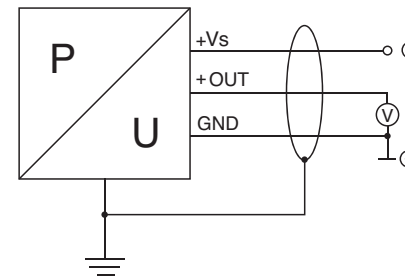
- ✓ Connect the device according to the electrical connections on the label or the specification.
- ✓ Preferably use a shielded multicore cable.
- ✓ The device should be grounded via the pressure connection. If this is not possible, ensure it is adequately grounded via the plug or cable shield.
- ✓ Avoid potential differences between measuring and connection points. The resulting ground loops can lead to a defect of the pressure transmitter.

## CONNECTION DIAGRAMS

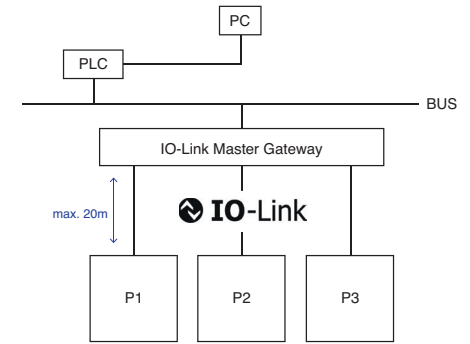
### 2-wire / 4...20 mA



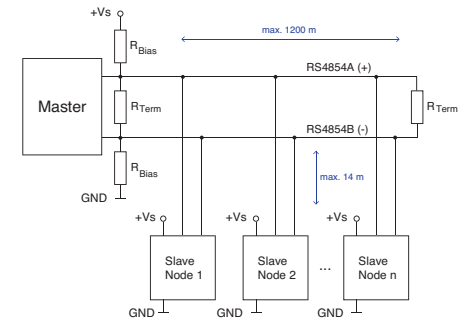
### 3-wire / 0...10 V / 0,5...4,5 V / etc.



## IO-Link



## RS485



May vary from series to series. Please see the relevant communication protocol for additional information.

## COMMISSIONING

- ⚠ **WARNING:** Before operating the device for the first time, check whether the device has been installed properly.
- ⚠ **WARNING:** The device may only be operated by qualified personnel who have read and understood the operating instructions.
- ⚠ **WARNING:** The device may only be operated within the specifications. See the technical data sheet or the agreed specifications.

Subject to technical alterations.  
450565.0118, Version 11/2024

