

# TRAQC-2 PC

Portable pressure calibrator  
with a pressure control valve

User manual



## Content

1.	General.....	3
1.1	Introduction.....	3
1.2	Warranty.....	3
1.3	Service of Tradinco Instruments.....	4
1.4	Calibration services.....	4
1.5	Accreditation .....	4
1.6	Packaging for shipment .....	4
2.	Safety symbols, notices and warnings .....	5
2.1	Responsible use of the Traqc-2 PC .....	5
2.2	General safety instructions.....	5
2.3	Warnings and caution notices .....	5
3.	About the Traqc-2 PC .....	7
3.1	Functions of the Traqc-2 PC.....	7
3.2	Terms of use .....	7
3.2.1	Control panel and layout.....	7
3.2.2	Display terms.....	8
3.2.3	Terms of the manual .....	8
3.3	A closer look at the instrument .....	8
4.	Operation of the Traqc-2 PC .....	9
4.1	On/off switch.....	9
4.2	Zero/unit switch .....	9
4.3	Display .....	10
4.4	Two-way switch .....	10
5.	Using the Traqc-2 .....	11
5.1	Applying supply pressure to the UUT .....	11
5.2	Performing a comparative measurement .....	11
5.3	Performing a leak test .....	11
5.4	Measuring external pressure.....	11
5.5	Charging the battery.....	11
6.	Maintenance .....	12
6.1	Maintenance.....	12
6.2	Calibration .....	12
7.	Specifications .....	13
8.	Declaration of conformity .....	14

## 1. General

### 1.1 Introduction

The Traqc-2 PC is a portable calibration instrument to perform calibrations on site:

- by reducing pressure from an external circuit, by means of a connected pressure supply (max. 10 bar). After this, the applied pressure can be read on the display.
- by directly measuring the pressure of a connected external circuit (max. 10 bar).

Also a leak test can be performed with the Traqc-2 PC. The built-in pressure cell has been calibrated to confirm that the measured value is within the accuracy described in the specifications.

### 1.2 Warranty

During the design and manufacturing of this instrument the at most attention has been given to quality and durability. This manual contains information needed for the safe and effective use of the capabilities of the instrument.

Please read the manual carefully before operating the instrument. By doing so, possible damage to the instrument or damage caused by incorrect use of the instrument can be avoided. Tradinco Instruments warrants the instrument in accordance with the Standard Terms and Conditions 2020 of the Instrument Trade as issued by the Association bearing the name "Federation Het Instrument" (The Instrument Federation, filed with the Chamber of Commerce of Gooi-, Eem- and Flevoland under number 4050754. You can find and download a copy of the terms and conditions from our website <https://tradinco.com/>.

Tradinco Instruments warrants that this product will be free from defects in materials and workmanship for a period of 1 year from the date of shipment. If any such product proves defective during this warranty period, Tradinco Instruments, at its option, will either repair the defective product without charge for parts or labor, or will provide a replacement in exchange for the defective product.

In order to obtain service under this warranty, the customer must notify Tradinco Instruments of the defect before the expiration of the warranty period and make suitable arrangements for the performance of the service.

The customer is responsible for packaging and shipping of the defective product to the service center designated by Tradinco Instruments, with shipping charges prepaid. If no defect can be found Customer may be charged for costs of the investigation. This warranty does not apply to any defect, failure or damage caused by:

- Improper use of the instrument;
- Battery leakage;
- Normal wear of the product;
- Modification or repair carried out by or on behalf of the owner or by a third party;
- Implementation of modifications to the product that are not supplied or implemented by Tradinco Instruments.

Tradinco Instruments and its vendors will not be liable for any indirect, special, incidental or consequential damages irrespective of whether Tradinco Instruments or the vendor has advance notice of the possibility of such damages. The type number of the product, as listed on the instrument tag plate, should always be mentioned in any correspondence concerning the product.

Tradinco Instrumenten-Apparaten B.V.  
Radonstraat 250  
2718 TB Zoetermeer  
The Netherlands  
+31 79 2033133  
[www.tradinco.com](http://www.tradinco.com)  
[sales@tradinco.com](mailto:sales@tradinco.com)

## 1.3 Service of Tradinco Instruments

Tradinco Instruments has made a concerted effort to provide complete and current information for the proper use of the equipment. If there are questions regarding this manual, proper use of the equipment, or if you have problems using your Traqc-2 PC and you don't find the answer in this manual, contact either Tradinco Instruments for personal assistance. We are ready to help.

## 1.4 Calibration services

In addition to servicing our own products, Tradinco Instruments provides complete pressure calibration services for many pressure instruments. This service includes a Certificate of Compliance and Calibration and a record of traceability to the pressure standards of the Dutch Accreditation Council RvA.

## 1.5 Accreditation

Tradinco Instruments is registered to ISO 9001:2015. The calibration program at Tradinco Instruments is accredited by Dutch Accreditation Council RvA, as complying with EN ISO/IEC 17025:2017.

## 1.6 Packaging for shipment

If the product must be shipped to a different location or returned for any reason through a common carrier it must be packaged properly to minimize the risk of damage. The recommended method of packing is to place the instrument in a container, surrounded on all sides with at least four inches of shock attenuation material such as styrofoam peanuts.

## 2. Safety symbols, notices and warnings



This warning symbol indicates danger for the system and material if the respective safety precautions are not taken, or indicates that danger of injury for persons and the environment and/or considerable material damage (mortal danger, danger of injury) will occur if the respective safety precautions are not taken.



This warning symbol indicates danger by explosion for the system and material and the operator and bystanders if the respective safety precautions are not taken.



This notice symbol does not indicate safety notices but information for a better understanding of the facts.

### 2.1 Responsible use of the Traqc-2 PC

To ensure safety, the operator must make sure that the following conditions are met:

- The system is used properly, no dangerous media are used and that all technical specifications are observed;
- The system is in perfect operating condition;
- The operation manual is legible and accessible to the user at the system's location;
- The system is operated, serviced and repaired only by authorized and qualified personnel;
- The user receives instruction on industrial safety and environmental protection, and is knowledgeable of all operating instructions and safety notices relevant to the current procedure.

### 2.2 General safety instructions



The system should be operated only by trained personnel who are familiar with this manual and the operation of the instrument.



The battery of the Traqc-2 PC should be charged regularly. Only use the supplied USB cable for this, which may be connected to a USB charging point that delivers a maximum of 500 mA/hr in order to prevent overloading the internal electronics.



A condition for trouble-free and safe operation of this system is proper transport, proper storage, installation, assembly and proper use as well as careful operation and maintenance.



Any operation not described in the following instructions should be prohibited. The system must be handled with care required for an electronic precision instrument (protect from humidity, impacts, strong magnetic fields, static electricity and extreme temperatures). Do not insert any objects into the instrument.

### 2.3 Warnings and caution notices



**WARNING: PRESSURE!** Pressure gases are potentially hazardous. Energy stored in these gases can be released suddenly and with extreme force. Pressure systems should be assembled and operated only by personnel who have been trained in proper safety practices.



Do not disconnect any pressure connection of the Traqc-2 PC when a measurement of any kind is in progress. Physical injury may exceed when process connections will be disconnected, caused by the expanding gas.



**CAUTION:** Pressure testing with compressed gases can lead to additional risks due to release of stored energy (e.g. burst of system, flying objects). Please take appropriate measures (e.g. shielding, use of personal protective equipment (PPE)) to prevent hazardous situations which could result in human injuries.



**CAUTION:** Use proper pressure medium. Use only clean, dry air or nitrogen gas. This instrument is not designed for oxygen use.



**WARNING: NOT EXPLOSION PROOF!** Using this instrument in an area where devices with intrinsically safe classification is recommended, is prohibited!



**WARNING:** Detachable main power supply cord with inadequate ratings should not be used.



**WARNING:** It is the responsibility of the operator to ensure that pressure in circuits connected to the Traqc-2 PC will never exceed their safe working pressure. In the event that the maximum safe working pressure of a circuit / system to be tested is lower than the maximum obtainable output pressure of the Traqc-2 PC, the operator who will perform the tests must be instructed in advance regarding the maximum safe working pressure of the external circuit.



Depending on the volume and pressure in the Traqc-2 PC, the risks for humans and material can be very high. For that reason the end user must ensure that maximum pressure levels for each circuit are established as set forth by law. (European directive 2014/68/EU or similar guidelines/obligations are specified and applicable in the country of use.)



Because of the potential risk for human beings in the vicinity of systems/circuits under pressure, the end user must ensure that risks are kept to the minimum by fencing, warning, forbidding passage or access to the area for as long as the risk exists.



Do not connect the voltages higher than specified in the specifications to the instrument. If higher voltages are connected, the interface control may be damaged.



This instrument is equipped with an overpressure protection, which protects the pressure sensor against overpressure. As soon as the pressure on the pressure sensor increases to 1 bar above the measuring range specified for the instrument, the supply to the pressure sensor will be cut off to protect the pressure sensor from damage.

### 3. About the Traqc-2 PC

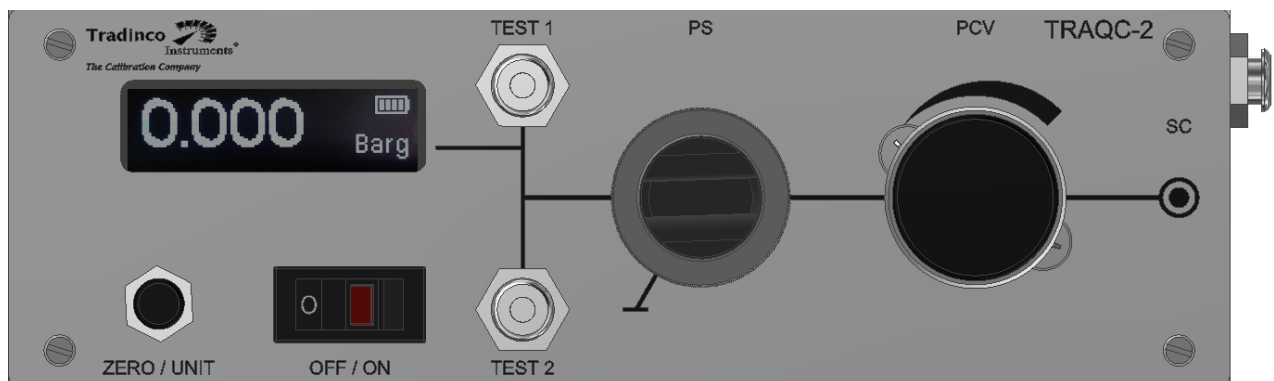
#### 3.1 Functions of the Traqc-2 PC

The Traqc-2 PC is a portable pressure calibrator to perform a calibration, a simple pressure measurement or a leak test. The Traqc-2 PC is not suitable for generating pressure. However, an UUT can be pressurized by means of a supply pressure, which can be regulated with the pressure control valve if desired. This pressure will appear in the display. The display can be set to psi, bar or kPa by briefly pressing the push button. The pressure indication on the display can be zeroed by pressing the push button for a longer period of time.

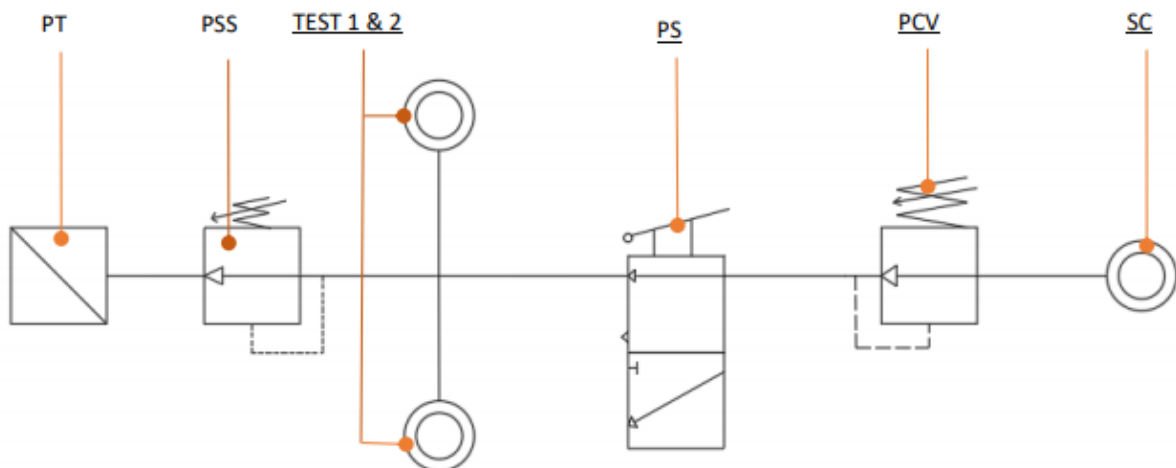
#### 3.2 Terms of use

##### 3.2.1 Control panel and layout

ID	Function	Description
SC	Connection point	For the purpose of connecting the external pressure supply
PCV	Pressure control valve	For the purpose of controlling the pressure to test connection 1 & 2
PS	Selector switch	May or may not allow reduced pressure to test connection 1 & leak test function
TEST 1	Test connection 1	Test point to which an UUT can be connected
TEST 2	Test connection 2	Test point to which an UUT can be connected
OFF / ON	On / off switch	Switching the Traqc-2 PC on or off
ZERO / UNIT	Push button	For the purpose of zeroing the display or changing the measuring unit
PT	Pressure reference sensor	Measuring the pressure
PSS	Pressure limiting valve	Protecting the pressure sensor against overpressure





Underlined components are visible



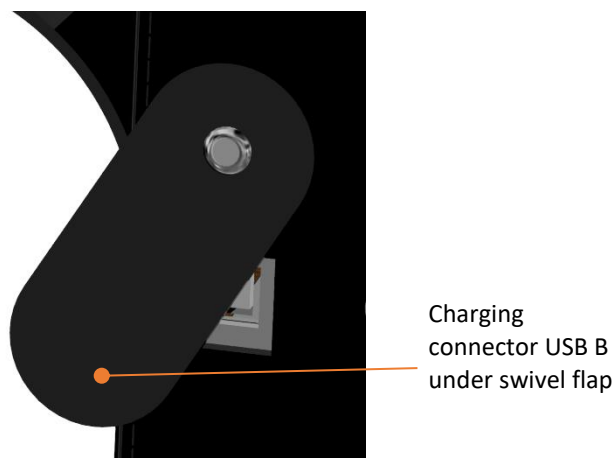
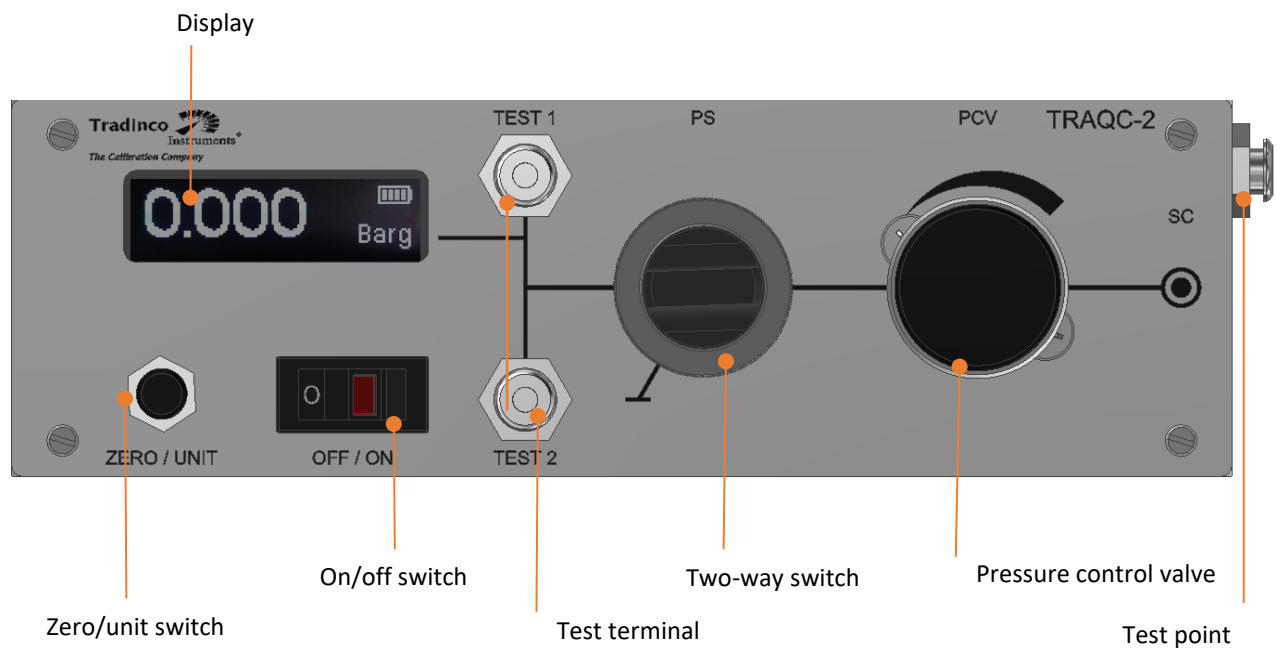
### 3.2.2 Display terms

Term	Description
P test [bar/psi/kPa]	Pressure test

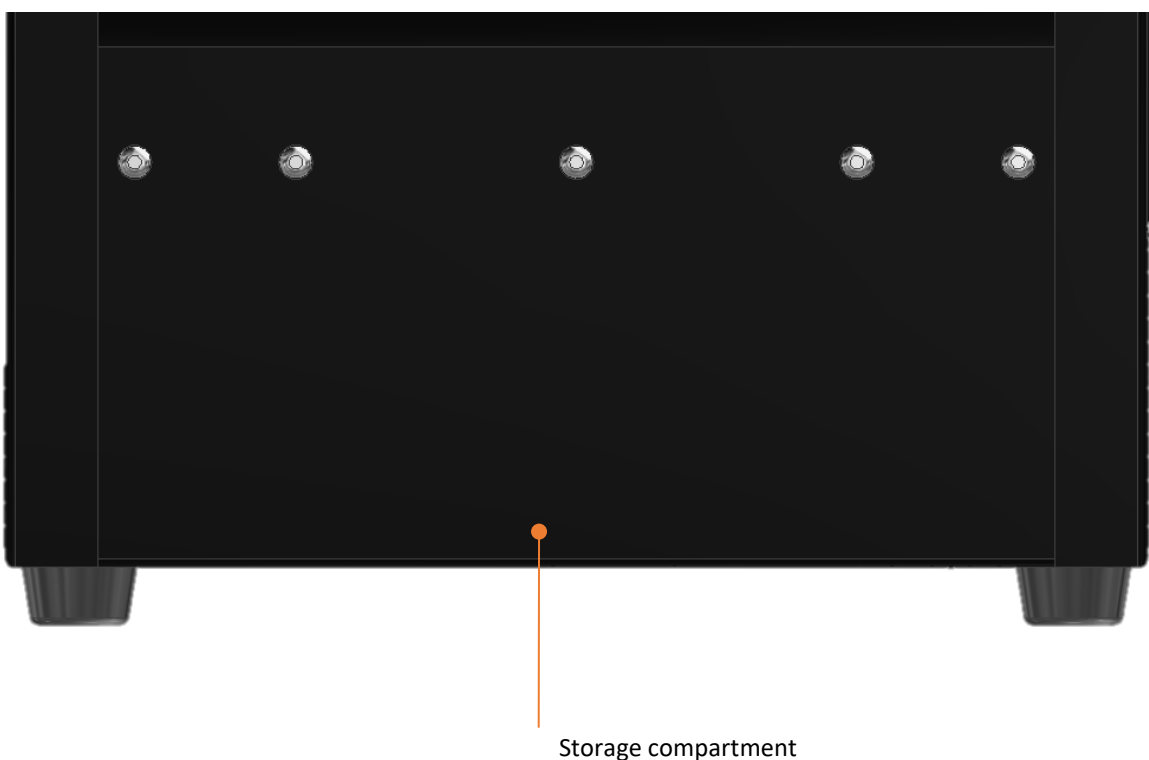
### 3.2.3 Terms of the manual

Term	Description	Meaning
CW	Clock Wise	
CCW	Counter Clock Wise	
UUT	User under test (the object that is being tested)	

### 3.3 A closer look at the instrument







## 4. Operation of the Traqc-2 PC



The supply pressure which must be connected should not exceed 10 bar.



The pressure to the test terminals, test 1 and test 2, should never exceed the maximum pressure in accordance with the type label.

### 4.1 On/off switch

To turn the instrument on and off.



### 4.2 Zero/unit switch

The instrument is equipped with a push button that can be used to:

- Changing the unit shown on the display. To do this, briefly press the push button.
- Zeroing the reading. To do this, press the push button for at least 3 seconds.



#### 4.3 Display

The display shows the following information:

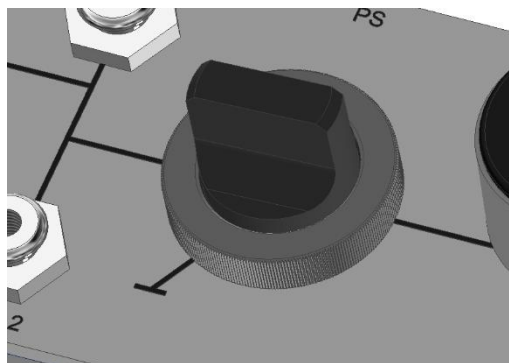
- The battery status
- The test pressure



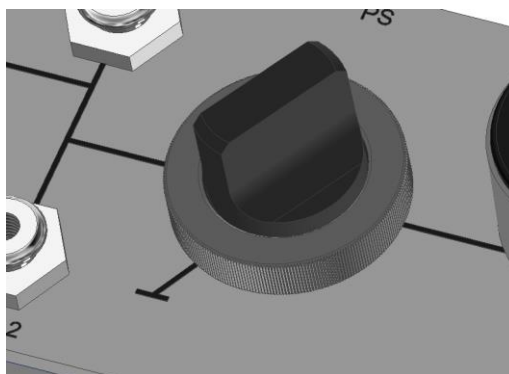
#### 4.4 Two-way switch

The instrument is equipped with a two-way pneumatic switch that has two functions:

- The pressure from the pressure control valve is passed to the pressure sensor and to the test terminal (test 1 or test 2).



- The test terminals (test 1 and test 2) and the pressure sensor are disconnected from the source.



## 5. Using the Traqc-2

### 5.1 Applying supply pressure to the UUT

- Turn on the instrument
- Press short the zero/unit button to set the desired unit (barg, psig or kPag)
- Turn the selector switch in the forward direction
- Turn the PCV all the way counterclockwise  
*No pressure will build up to the pressure control valve*
- Connect the supply pressure to the connection point (SC)  
*With a maximum pressure of 10 bar!*
- Connect the UUT to the test terminals (test 1 or test 2)  
*Using a polyflo connector*
- Zero the pressure reading with the zero/unit button  
*Press and hold the zero/unit button for 3 seconds*

### 5.2 Performing a comparative measurement

- Operate the instrument as described in section 5.1
- Turn the PCV clockwise to apply the correct pressure to the UUT  
*Read the pressure on the display*
- Turn the selector switch in the blocking direction
- Wait for the pressure to stabilize  
*Depending on the environmental conditions, this may take some time*
- Read the difference in pressure between the Traqc-2 PC and the UUT

### 5.3 Performing a leak test

- Operate the instrument as described in section 5.1
- Turn the PCV clockwise to apply the correct pressure to the UUT  
*Read the pressure on the display*
- Turn the selector switch in the blocking direction  
*The internal circuit of the Traqc-2 that is part of the leak test is as short as possible*
- Wait for the pressure to stabilize  
*Depending on the environmental conditions, this may take some time*
- Zero the pressure reading with the zero/unit button  
*Press and hold the zero/unit button for at least 3 seconds*
- Read off the pressure history from the display

### 5.4 Measuring external pressure

If no pressure has to be generated, the pressure of an UUT can be measured with the Traqc-2 PC. The pressure can be read off directly from the display. The test circuit and the Traqc-2 PC is as short as possible:

- Zero the pressure reading with the zero/unit button  
*Press and hold the zero/unit button for at least 3 seconds*
- Connect the UUT to the test terminal (test 1 or test 2)
- Apply the pressure with the UUT
- Read off the pressure from the display

### 5.5 Charging the battery

The Traqc-2 PC is equipped with a Lithium-Ion battery, which must be charged regularly. When the instrument is switched on, the status of the battery is visible on the display. The USB cable and the USB charging port are provided. Always use the supplied cable or a similar cable with a maximum length of 0.8 meters.

The charging specifications are:

- Maximum 500mA
- 5 VDC

## 6. Maintenance


### 6.1 Maintenance

Depending on the number of operating hours, the Traqc-2 PC should be maintained on a regular basis. We recommend to contact our service department for tailor-made advice.

### 6.2 Calibration

The Traqc-2 PC is equipped with a pressure measuring cell, whose measurement accuracy decreases over time. This is a natural process. To ensure that your Traqc-2 PC always displays the correct reading on the display, the Traqc-2 must be calibrated regularly at Tradinco Instruments. The recommended frequency of the recalibration (annually, every two years or else) depends, among other things, on the number of operating hours and the required measurement accuracy. Please contact our service department for tailor-made advice.

## 7. Specifications

		<b>Traqc-2 Series</b>	
<b>Technical Specifications</b>			
<b>Pressure Ranges :</b>			
<u>With Reducer</u>		<u>With Handpump and Volume Controller</u>	
TRAQC2-PC 1	0...1 bar(g)	TRAQC2-PCHP 1	0...1 bar(g)
TRAQC2-PC 3	0...3 bar(g)	TRAQC2-PCHP 3	0...3 bar(g)
TRAQC2-PC 10	0...10 bar(g)		
<b>Permissible media</b>			
Air		Dry & clean	
Nitrogen gas		Dry & clean (PC version)	
<b>Functions</b>			
Tare /Zero		✓	
Selectable units		kPa, bar, PSI	
<b>Permissible pressures</b>			
MAWP (PCHP Version)		5 bar	
MAWP (PC version)		10 bar	
<b>Pressure sensor accuracy</b>			
Pressure sensor		±0.15 % full scale	
<b>Permissible ambient conditions</b>			
Warm-up time		< 1 minute	
Operating temperature		Between 15 and 31°C. All stated accuracies include linearity, hysteresis and repeatability	
Storage temperature		-20...70°C (253...343K)	
Position during in use		Vertical, on a flat surface	
<b>Used materials</b>			
Tubing and fittings		Nylon	
Housing		Leather bag, aluminium sheet metal	
<b>Dimensions and weight</b>			
Dimensions		250 x 90 x 230mm (l x w x h)	
Weight		3kg	
<b>Display</b>			
Screen		1-colour OLED, 18 x 60mm, 56.64mm screen diagonal	
Resolution		32 x 128 pixels	
<b>Charge battery</b>			
Power supply		5VDC, max. 500mA, USB type B	
<b>EC declaration of conformity</b>			
EMC directive 2014/30/EU		EN 61326-1 emission (group 1, class A) and interference immunity (industrial application)	
RoHS Directive 2011/65/EU		EN 50581:2012 Restriction of the Use of Certain Hazardous Substances in Electrical and Electronic Equipment	
<b>Internal leak rate</b>			
Drop rate of tool		< 0.050 bar/hr	
<b>Ordering Codes:</b>			
TA0109031001		TRAQC2-PC 0 to 1 bar	
TA0109031002		TRAQC2-PC 0 to 3 bar	
TA0109031005		TRAQC2-PC 0 to 10 bar	
TA0109031003		TRAQC2-PC 0 to 1 bar with RVA Traceable Calibration Certificate	
TA0109031004		TRAQC2-PC 0 to 3 bar with RVA Traceable Calibration Certificate	
TA0109031006		TRAQC2-PC 0 to 10 bar with RVA Traceable Calibration Certificate	
TA0109031101		TRAQC2-PCHP 0 to 1 bar	
TA0109031102		TRAQC2-PCHP 0 to 3 bar	
TA0109031103		TRAQC2-PCHP 0 to 1 bar with RVA Traceable Calibration Certificate	
TA0109031104		TRAQC2-PCHP 0 to 3 bar with RVA Traceable Calibration Certificate	
8620		Low pressure connection set < 10 bar	
Standard Calibration		Standard calibration on pressure range	

## 8. Declaration of conformity

### EU Declaration of Conformity

The manufacturer of the product covered by this declaration,

Tradinco Instrumenten-Apparaten b.v.  
Radonstraat 250  
2718 TB Zoetermeer  
The Netherlands  
+31 79 2033133  
www.tradinco.com  
info@tradinco.com

declares that this DoC is issued under our sole responsibility and belongs to the following product:

Machine:                   Traqc-2 PC Portable pressure calibrator  
Version:                    **1**  
Year of manufacture:   **2020**



#### Directives

The object of the declaration described above is in conformity with the relevant Union harmonisation legislation:

- Low Voltage Directive (LVD) 2014/35/EU
- RoHS Directive 2011/65/EU
- EMC Directive 2014/30/EU

#### Harmonised standards

The following harmonised standards and technical specifications have been applied:

Low Voltage Directive (LVD) 2014/35/EU

- EN 61010-1:2010  
Safety requirements for electrical equipment for measurement, control, and laboratory use

RoHS Directive 2011/65/EU

- EN 50581:2012  
Restriction of the Use of Certain Hazardous Substances in Electrical and Electronic Equipment

Signed: 

Authority: S. de Knegt, Innovation manager

Date: 07-02-2020

EC-Declaration of Conformity Traqc-2 PC

In-Confidential. Copying this document, and giving to others, and the use or communication of the contents thereof, are forbidden without express prior written permission. Offenders are liable to the payment of damages. All rights are reserved in the event of the grant of a patent, or the registration of a utility model or design. A printed copy is not an uncontrolled document. Please see the digital document for the approved version.

**Tradinco Instrumenten-Apparaten b.v.**  
Radonstraat 250  
2718 TB Zoetermeer  
The Netherlands  
+31 79 2033133  
[www.tradinco.com](http://www.tradinco.com)  
[sales@tradinco.com](mailto:sales@tradinco.com)