

Datasheet 8284

- ✓ Low cost
- ✓ Rugged design
- ✓ Easy operation



The model 8284 is a robust station for testing pressure gauges. This standard has proven to be very practical in numerous test set-ups. Supplied with 1/2", 3/8, 1/4" and 1/8" BSP gauge adaptors which can be "stores" on the base plate of the gauge test station.

A Tradinco dirt separator model 2525 (not shown in the picture) can be fitted onto the gauge test station to protect instruments against corrosion and dirt.

About Tradinco Instruments

Tradinco Instruments provides the best solution for every test, measurement and calibration challenge in the industry.

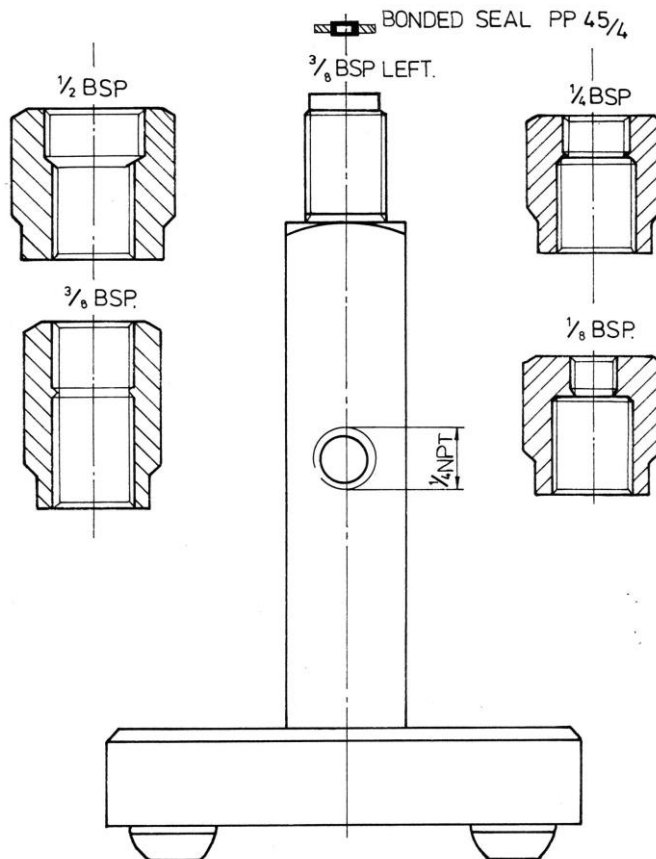
Our brand promises:

- ✓ Skilled specialists
- ✓ Customer focus
- ✓ Broad portfolio
- ✓ Long-term partnership



Technical specifications

Material	
"Station"	Stainless steel
Base plate	Steel
Adapters	Chromium plated brass
Dimensions	Width: 100mm, Height: 175mm
Connection	1/4" NPT female
Max pressure	700 bar
Ordering code	8284
Scope of supply	The gauge test station is supplied complete with 1/2" 3/8", 1/4" and 1/8" BSP gauge adaptors. The supply does not include a pressure gauge



Specifications of the product may be changed without notice