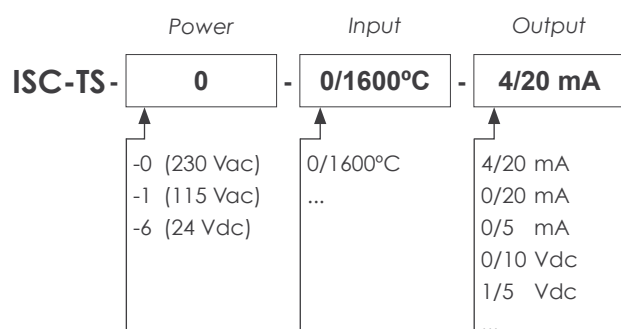


# ISC-TS Signal converter for Thermocouple S

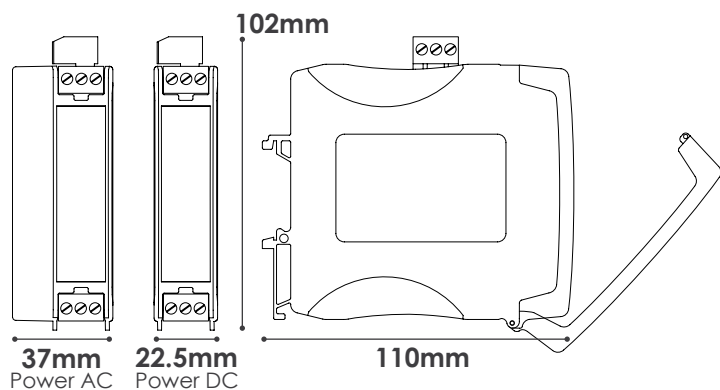
Signal converter for thermocouple type K, DIN rail mounting. Signal ranges selectable up to 1600°C, with output ranges in 4/20mA or 0/10Vdc. Automatic cold junction compensation. Power options in AC and DC. High isolation between input, output and power circuits.



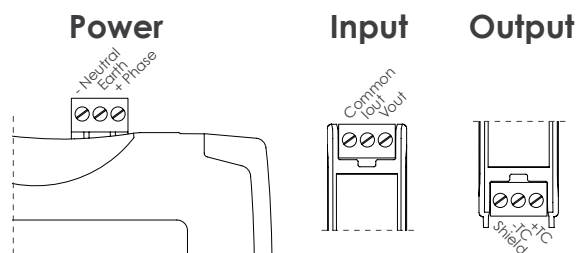
## Order reference



## Dimensions



## Connections



## Technical specifications

Signal	Input ranges*
Thermocouple S	0/1600 °C

Output ranges*	Type	Load
4/20 mA	active	<400 Ohm
0/20 mA	active	<400 Ohm
0/10 Vdc	active	>1 K Ohm
0/1 Vdc	active	>1 K Ohm

\* Intermediate input and output ranges are available, operating the Span and Offset potentiometers.

### General

Signal	Thermocouple S
Cold junction	automatic compensation
Sensor break	output to high
Input impedance	1 MOhm
Maximum overvoltage	10 Vdc
Accuracy	0.3% F.S. + 0.1°C/°C at the cold junction
Linearity	0.2% F.S.
Thermal drift	250 ppm/°C + 0.1°C/°C at the cold junction
Response time	<250mSec. (0% to 90% signal)
Bandwidth	20Hz (-3dB)

### Power

Power	230Vac, 115Vac and 24Vdc
Consumption	<3.8VA

### Isolation\*

Input-output	3500Veff, optical
Power-input	3500Veff, galvanic
Power-output	3500Veff, galvanic (with AC power) 1000Veff, galvanic (with DC power)

\* instrument isolated 3 ways, isolation tested during 60 sec.

### Mechanical

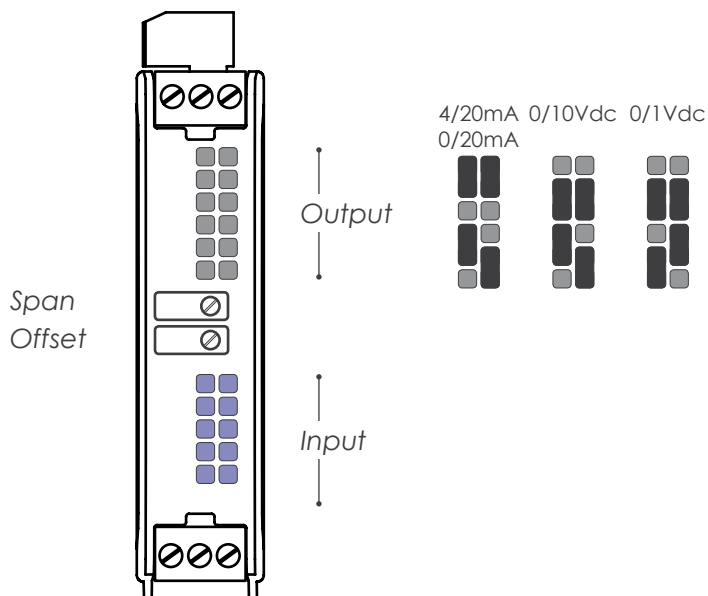
Mounting	DIN rail standard (35x7.5mm)
Connections	pug-in screw terminal
Weight	120 grams (with DC power) 200 grams (with AC power)
Housing material	polyamide PA6 UL94 V2
Protection	IP30

## Information on web

User's Manual

[www.fema.es/1196\\_ISC-TX\\_i.pdf](http://www.fema.es/1196_ISC-TX_i.pdf)

## Jumpers for range selection



## Isolated signal converters Series ISC

	Model															
	ISC-LC	ISC-RES	ISC-HZ	ISC-POT	ISC-IDC	ISC-VDC	ISC-IAC	ISC-VAC	ISC-TS	ISC-TR	ISC-TE	ISC-IT	ISC-TK	ISC-TJ	ISC-PT100	ISC-P
<b>Signals accepted</b>																
Process																•
Pt100 / RTD															•	
Thermocouple J														•		
Thermocouple K													•			
Thermocouple T											•					
Thermocouple E										•						
Thermocouple R										•						
Thermocouple S										•						
Voltages AC								•								
Currents AC									•							
Voltages DC						•										
Currents DC					•											
Potentiometers				•												
Frequency			•													
Resistances		•														
Load cells	•															

## Meters for 4/20mA



Process panel meter  
48x24mm - L35/A



Process panel meter  
72x36mm - S40-P



Process panel meter  
96x48mm - M40-P



Process meter  
60mm digit - BDF-24



Process panel meter  
100mm digit - BDF-44