

TWO Controllers with Timer in ONE Compact Unit !

2Ch Controller

With Timer

◆ **Easier to Mount** ◆

3 units incorporated into 1 means only 1 panel cutout.

◆ **Simple Operation** ◆

Independent PV & SV displays allow ease of use & monitoring.

◆ **Custom-order** ◆

For your own original faceplate, etc., please consult us.

◆ **Timer Function** ◆

24-hour countdown timer

◆ **Total 5 Contact Outputs** ◆

'a' contact x3, '1a1b' contact x2

Temp. Control <1>

Temp. Control <2>

Timer Function



(Actual size)

Model : BOC-500

Shinko

Model

Model	Output
BOC-520-2R/E	Relay contact output PD control
BOC-510-2R/E	Relay contact output ON/OFF control
BOC-520-2S/E	Non-contact voltage output PD control
BOC-510-2S/E	Non-contact voltage output ON/OFF control

Standard Specifications

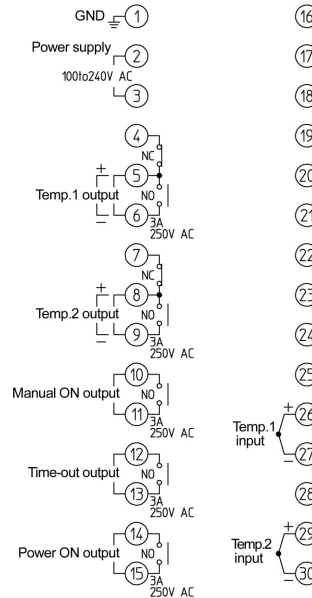
Rated scale	Scale range: 0 to 400°C Resolution: 1°C
Input	Thermocouple K, External resistance: 100Ω or less (ungrounded type sensor)
Input points	2-points of temperature input
Timer	24-hour timer (from OFF to 99 hours 59 minutes)
Indication	Indication accuracy: Within ±0.5% or full scale ±1digit (1st digit after decimal point is rounded off.) Input sampling period: 500ms Time setting accuracy: ±0.5% of setting time (at 25°C of ambient temperature)
Display	Temp. 1 display: 7-segment Red LED display 3-digit, Character size: 14.3x8mm (HxW) Temp. 1 SV display: 7-segment Green LED display 3-digit, Character size: 10x5.5mm (HxW) Temp. 2 display: 7-segment Red LED display 3-digit, Character size: 14.3x8mm (HxW) Temp. 2 SV display: 7-segment Green LED display 3-digit, Character size: 10x5.5mm (HxW) Timer display: 7-segment Green LED display 4-digit Character size: 10x5.5mm (HxW)
Control action	PD control (with manual reset function), P control (with manual reset function), ON/OFF control
Control output (Common)	Relay output: 1a, 1b contact output Control capacity: 3A 250V AC (resistive load) 1A 250V AC (inductive load cosφ=0.4) Electric life: 100,000 cycles Non-contact voltage (for SSR drive): 12 ⁺³ ₀ V DC Max. 40mA DC (Short circuit protected)
Time-out output Manual ON output Power ON output	Relay output: 1a contact output Control capacity: 3A 250V AC (resistive load) 1A 250V AC (inductive load cosφ=0.4) Electric life: 100,000 cycles
Supply voltage	100 to 240V AC 50/60Hz Allowable fluctuation range: 85 to 264V AC
Insulation resistance	20MΩ or more, at 500V DC (For voltage applied terminals, see Dielectric strength section.)
Dielectric strength	Input terminal–power terminal: 1.5kV AC for 1 minute Input terminal–ground: 1.5kV AC for 1 minute Output terminal–power terminal: 1.5kV AC for 1 minute Output terminal–ground: 1.5kV AC for 1 minute Power terminal–ground: 1.5kV AC for 1 minute
Ambient temp.	0 to 50°C
Ambient humidity	35 to 85%RH (non-condensing)
Power consumption	Approx. 11VA
Mounting	Flush
Dimensions	W72 x H144 x D110 mm
Weight	Approx. 420g

Terminal Arrangement

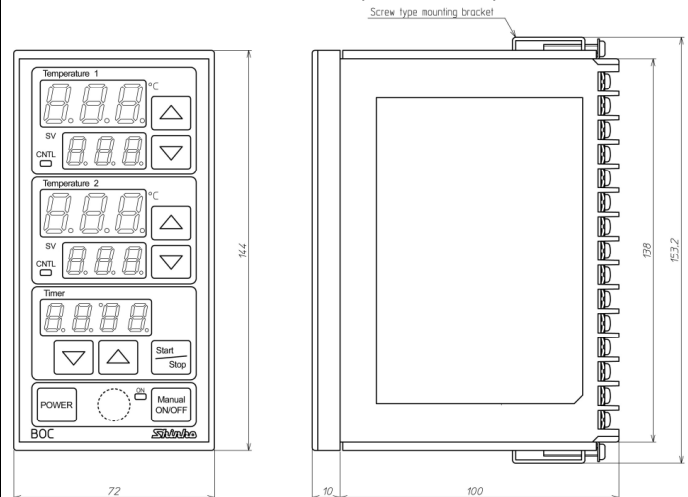
Terminal screw: M3

Applicable solderless terminal: Suits M3 screw.

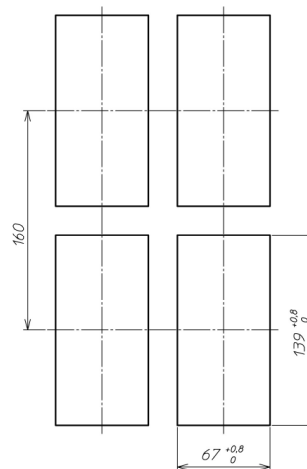
Tightening torque: 0.5N•m



External Dimensions (Scale: mm)



Panel Cutout (Scale: mm)



SHINKO TECHNOS CO., LTD. OVERSEAS DIVISION

Reg. Office: 2-5-1, Senbahigashi, Minoo, Osaka, 562-0035, Japan

Tel: 81-72-727-6100

Fax: 81-72-727-7006

URL: <http://www.shinko-technos.co.jp>

20120112