

Workstation Systems



Processcontrol Systems



5 important reasons for choosing complete solutions by Elabo



1

Complete room solutions

The spectrum of Elabo process control systems spans from functional basic elements to height-adjustable monitor walls. Even installing technology in the control stations is modular and easily performed. Elabo's many years of experience in designing and producing technical workstation systems ensure far greater functionality in all areas than simple wooden solutions.



2

Professional technology integration

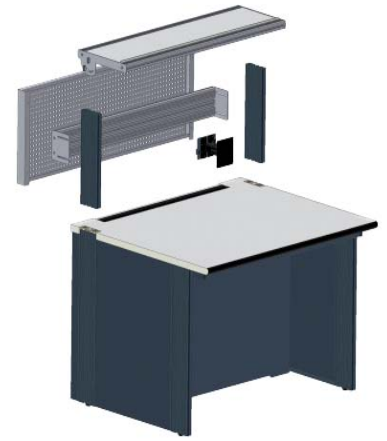
Elabo has been producing technical workstation systems since 1972. The professional integration of technical elements has always been one of Elabo's strengths, whether a telephone unit needs to be permanently installed or the entire control system for a lock must be optimally laid out. Each of Elabo's solutions are always at a high technical level.



3

Open for expansion

Process control systems made by Elabo are functional and ergonomically ground-breaking - and also highly durable. New demands can be met at any time with select expansions. There is also nothing standing in the way of a complete rearrangement, since the modules are cross-compatible and can be expanded even years later; a service greatly appreciated by our customers. Should it prove difficult to cover requirements with the basic system, we can solve this issue using modifications of the same high level of quality.



4

Optimum concentration

The consequences of unfocused work - especially in monitoring - are often tragic. This is why a variety of aspects must be observed as early as in the design stage for control rooms. Often it's the small details which are most important. It's good to know that your furniture fulfils these high requirements.



5

Design individual work stations

Control rooms are not seldom the core of a company. This is where functional technology and attractive design meet. With Elabo process control systems, there's no need for compromises here. The continuity of a company's CI doesn't stop at its control rooms, regardless of colour scheme or form.



Control rooms, control stations, control centres



■ Elabo supports you with a comprehensive range of products and services on the development and realisation of control and measurement rooms. Here all installation concepts are supported, from individual stations right up to linked systems in rows, circles or partial circles. The flexibility of the system is remarkable: the outer appearance can be modified in many ways and yet the "interior", the supporting technology, is mainly transferable.

■ The modular concept TaComSP provides optimum ergonomics with maximum flexibility. You decide which modular elements are suitable for your application, and which options you would like to keep open for future use. Whether "Basic" or "Plane" for administrative work, "Low" for monitor work stations

with lowered monitors or "Console" for holding operating, control and monitoring elements: from these desk variants you can create perfectly aligned and harmonious rooms - even for different tasks in a control room.



■ A relaxed posture at the work station and switching between standing and sitting: the series TaComSP Lift provides a maximum of ergonomics - even in shift operation. In addition to the prevention of damage to health, the electromotive height adjustment option also promotes concentration and working efficiency. Studies have shown that stress situations can be better resolved by changing positions. The Elabo system-world for control rooms also has the advantage that you are able to move installations above the tabletop, for example monitor cross members. In addition, you can obtain matching accessories such as 24-hour chairs.



Technology integration

■ Using the well thought-out TaComSP concept for the storage of technology, you can always obtain quick access to relevant components on your installation, for example to PCs or individual cables in technical substructures or in technical cabinets. Operating elements are stored in desk racks and allow an efficient working process. In addition, the operation of information and signaling devices is clearly laid out and designed with a highly ergonomic incline.

■ Details such as extendable shelves or hook-in cable cross members for continuous cable guidance are an impressive confirmation of Elabo's ability to listen to its customers. Elabo also sets standards in operating elements: front plates can be fitted with snap-in clips so that they can be removed without requiring tools if a fault occurs. And of course the 19" grid has been taken into account; meaning that installation sets for technical substructures can easily be integrated.



Project Management

The best advice from the start.

■ With our professional Project Management, you can process your projects efficiently and quickly. Trained workstation experts guarantee an optimum solution from the start of planning right through to realisation. We are also available for support during commissioning, for example when assembling the furniture, and provide your company with attractive financing possibilities. We are available for you even after a purchase, and will advise you on any retrofitting of your current operation process.



References

BASF Schwarzheide

SCHOTT JENA GLAS GmbH

VERKEHRSREGELZENTRALE –
Flughafen Berlin Tempelhof

GASAG Berlin

OVAG GmbH

YOKOGAWA Deutschland GmbH

FEUERWEHR Dortmund

DHC Solvent Chemie GmbH

INFRACOR

HKM

DR. OTTO-SUWELACK NACHF. GmbH

SCHOTT AG

TICONA GmbH

RÖHM GmbH & Co. KG

GERHARD SCHUBERT GmbH –
Verpackungsmaschinen

KRAUSS-MAFFEI WEGMANN
GmbH & Co. KG

BOSCH Sicherheitssysteme GmbH

EWE AG –
Gasspeicher Rüdersdorf

DRK RETTUNGSDIENST –
Rhein-Lahn-Westerwald GmbH

DEUTSCHE BUNDESBANK

NBB NETZGESELLSCHAFT

Berlin-Brandenburg GmbH & Co. KG

VATTENFALL Europe Mining AG
u. Generation AG & Co. KG

MAX-PLANCK-INSTITUT
für Plasmaphysik

ENRO Ludwigsfelde Energie GmbH

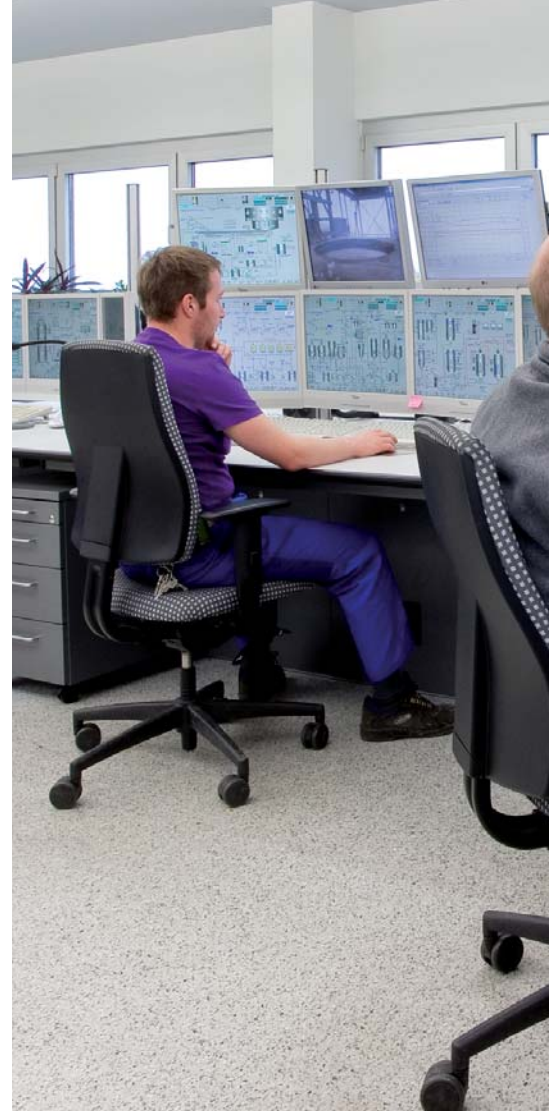
FORSCHUNGSGESELLSCHAFT
für Strahlwerkzeuge mbH

DEUTSCHE WELLE

POLIZEIPRÄSIDIUM
Mittelfranken

BMW AG

ENBW SYSTEME
Infrastruktur Support GmbH





Training | Measuring | Testing | Assembling | Controlling



ELABO GmbH –
a company of the
euromicron group
Roßfelder Straße 56
74564 Crailsheim
Deutschland
Fon +49 7951 307-0
Fax +49 7951 307-66
info@elabo.de
www.elabo.de