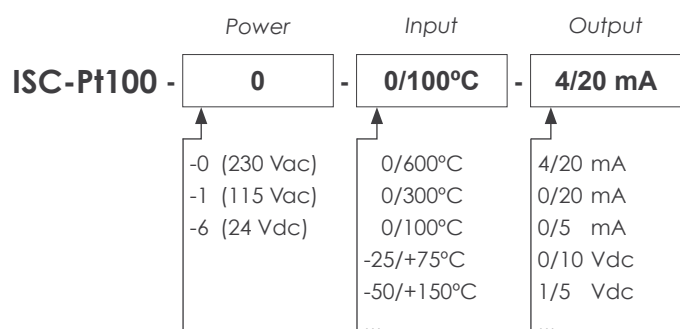


ISC-PT100 Signal converter for Pt100

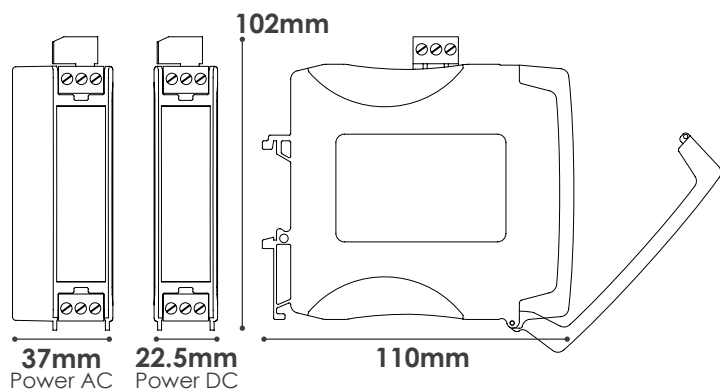
Signal converter for Pt100 probes with 2 and 3 wires, DIN rail mounting. Signal ranges selectable up to 600°C and down to -50°C with output ranges in 4/20mA or 0/10Vdc. Power options in AC and DC. High isolation between input, output and power circuits.



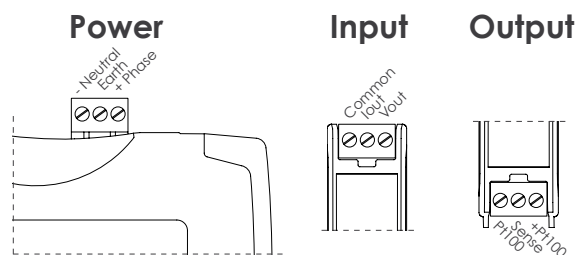
Order reference



Dimensions



Connections



Technical specifications

Signal	Input ranges*
Pt100	0/600 °C
Pt100	0/450 °C
Pt100	0/300 °C
Pt100	0/200 °C
Pt100	0/100 °C
Pt100	-50/+150 °C
Pt100	-25/+75 °C

Output ranges*	Type	Load
4/20 mA	active	<400 Ohm
0/20 mA	active	<400 Ohm
0/10 Vdc	active	>1 K Ohm
0/1 Vdc	active	>1 K Ohm

* Intermediate input and output ranges are available, operating the Span and Offset potentiometers.

General

Signal	Pt100 (2 and 3 wires)
Alpha	0.00385
Cable compensation	up to 10 Ohms
Excitation voltage	1 Vdc
Sensor break	output to high
Accuracy	0.2% F.S.
Linearity	0.1% F.S.
Thermal drift	250 ppm/°C
Response time	<250mSec. (0% to 90% signal)
Bandwidth	20Hz (-3dB)

Power

Power	230Vac, 115Vac and 24Vdc
Consumption	<3.8VA

Isolation*

Input-output	3500Veff, optical
Power-input	3500Veff, galvanic
Power-output	3500Veff, galvanic (with AC power) 1000Veff, galvanic (with DC power)

* instrument isolated 3 ways, isolation tested during 60 sec.

Mechanical

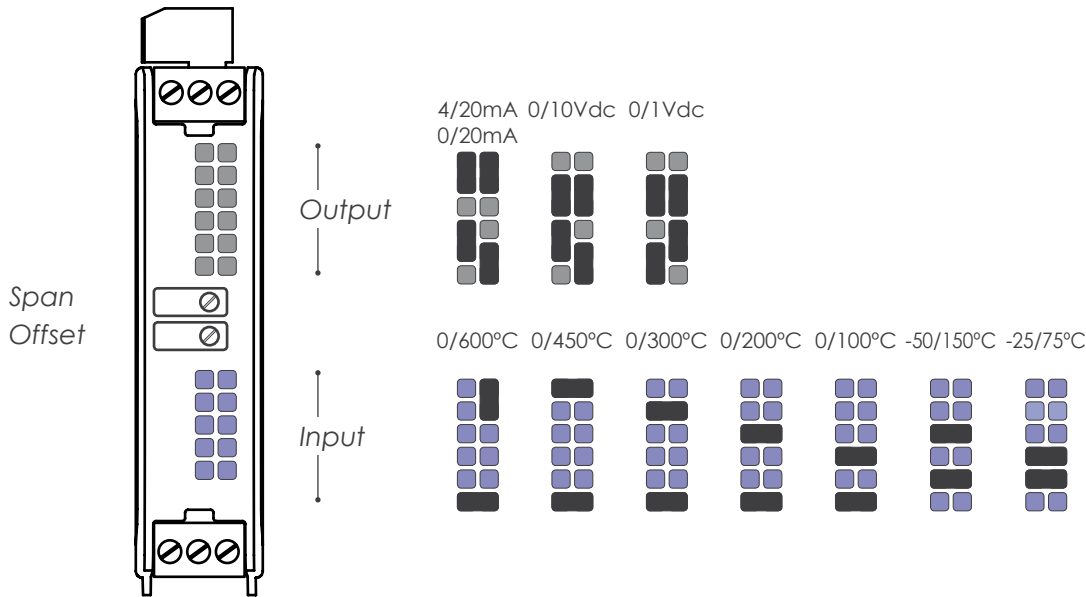
Mounting	DIN rail standard (35x7.5mm)
Connections	pug-in screw terminal
Weight	120 grams (with DC power) 200 grams (with AC power)
Housing material	polyamide PA6 UL94 V2
Protection	IP30

Information on web

User's Manual

www.fema.es/1195_ISC-PT100_i.pdf

Jumpers for range selection



Meters for 4/20mA



Process panel meter
48x24mm - L35/A



Process panel meter
72x36mm - S40-P



Process panel meter
96x48mm - M40-P



Process meter
60mm digit - BDF-24



Process panel meter
100mm digit - BDF-44

Isolated signal converters Series ISC

	Model															
	ISC-LC	ISC-RES	ISC-HZ	ISC-POT	ISC-IDC	ISC-VDC	ISC-IAC	ISC-VAC	ISC-TS	ISC-TR	ISC-TE	ISC-IT	ISC-TK	ISC-TJ	ISC-PT100	ISC-P
Signals accepted																
Process																•
Pt100 / RTD															•	
Thermocouple J															•	
Thermocouple K														•		
Thermocouple T														•		
Thermocouple E														•		
Thermocouple R														•		
Thermocouple S														•		
Voltages AC																•
Currents AC																•
Voltages DC																•
Currents DC																•
Potentiometers																•
Frequency																•
Resistances																•
Load cells																•