



Equipment trolley, filing trolley



Printer/PC trolley



Overhead/demo trolley



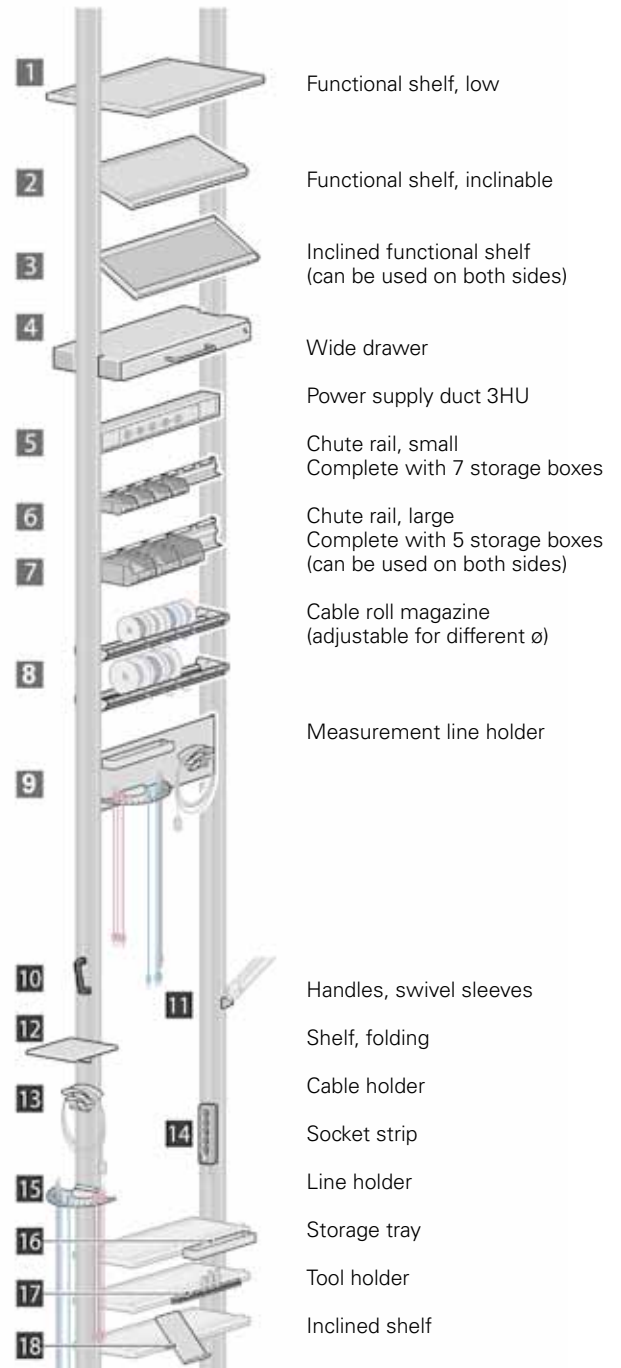
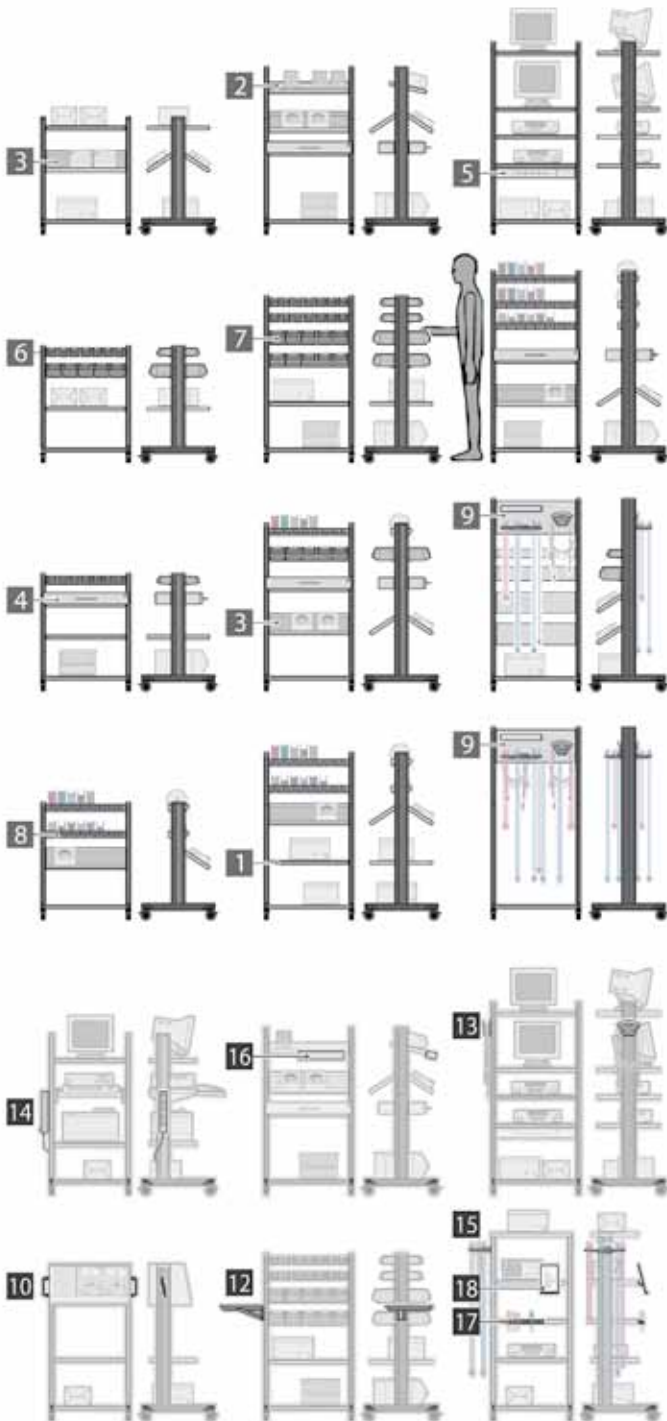
Basic mobile unit



Basic mobile with vertical profiles



Installation options

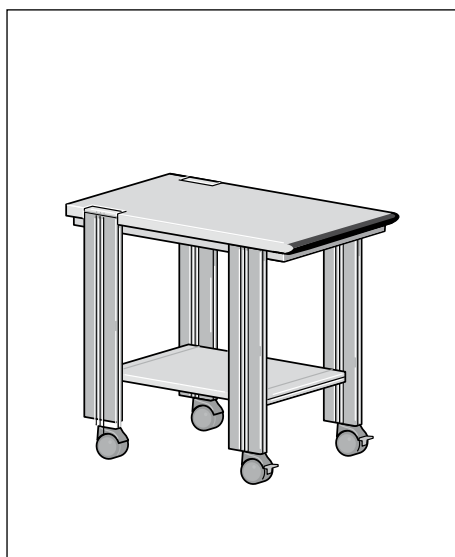


Everywhere where extra space is required or where important equipment is required in different places, a side table on swivel castors is the optimum system supplement. The continuously adjustable intermediate shelf provides additional storage space and a sturdy shelf surface. The 30 mm-thick tabletop is coated with laminate and is, like the worktops, available with 3 different front edges. The side trolley is equipped with 4 rubber swivel castors 75 mm in diameter (2 of these are lockable).
Max. permitted total weight 180 kg.



Side trolley

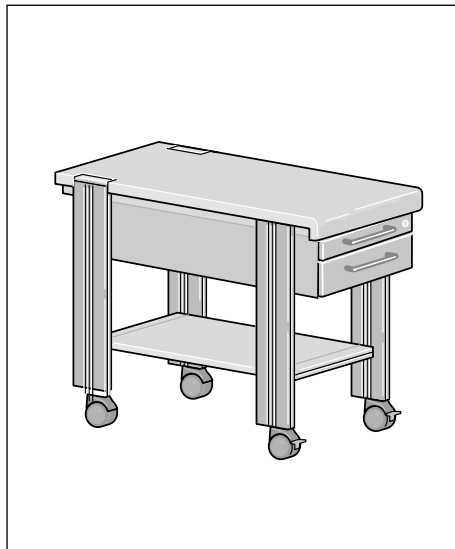
Height 750 mm



Technical data	Width	Depth	Standard	ESD
With intermediate shelf				
70 mm postformed edge at front	492 x 800		70-1U	70-4U
	492 x 900		70-3U	70-9U
	492 x 1000		70-2U	70-5U
at front with 3 mm edge strip	492 x 850		70-1U ZS	70-4U ZS
	492 x 950		70-3U ZS	70-9U ZS
	492 x 1050		70-2U ZS	70-5U ZS
With FlexiLine edge at front, replaceable	492 x 850		70-1U ZF	70-4U ZF
	492 x 950		70-3U ZF	70-9U ZF
	492 x 1050		70-2U ZF	70-5U ZF
Additional intermediate shelf	420 x 643		70-8J	70-8K
	420 x 743		70-8P	70-8Q
	420 x 843		70-8M	70-8N

Side trolley with drawer

Height 750 mm



Technical data	Width	Depth	Standard	ESD
With drawer unit 1 material pullout 1 drawer 2 HU and intermediate shelf				
70 mm postformed edge at front	492 x 800		70-1V	70-4V
	492 x 900		70-3V	70-9V
	492 x 1000		70-2V	70-5V
at front with 3 mm edge strip	492 x 850		70-1V ZS	70-4V ZS
	492 x 950		70-3V ZS	70-9V ZS
	492 x 1050		70-2V ZS	70-5V ZS
With FlexiLine edge at front, replaceable	492 x 850		70-1V ZF	70-4V ZF
	492 x 950		70-3V ZF	70-9V ZF
	492 x 1050		70-2V ZF	70-5V ZF

Dimensions in mm

All equipment trolleys have a sturdy mobile frame made of aluminium profiles with 4 swivel castors (diameter 75 mm, two of these lockable), a large shelf with longitudinal edges on both sides with an aluminium grooved profile. The vertical profiles are prepared to hold different swivel adaptors or for further vertical profiles. Plastic cover caps round off the face end profiles.

Shelves

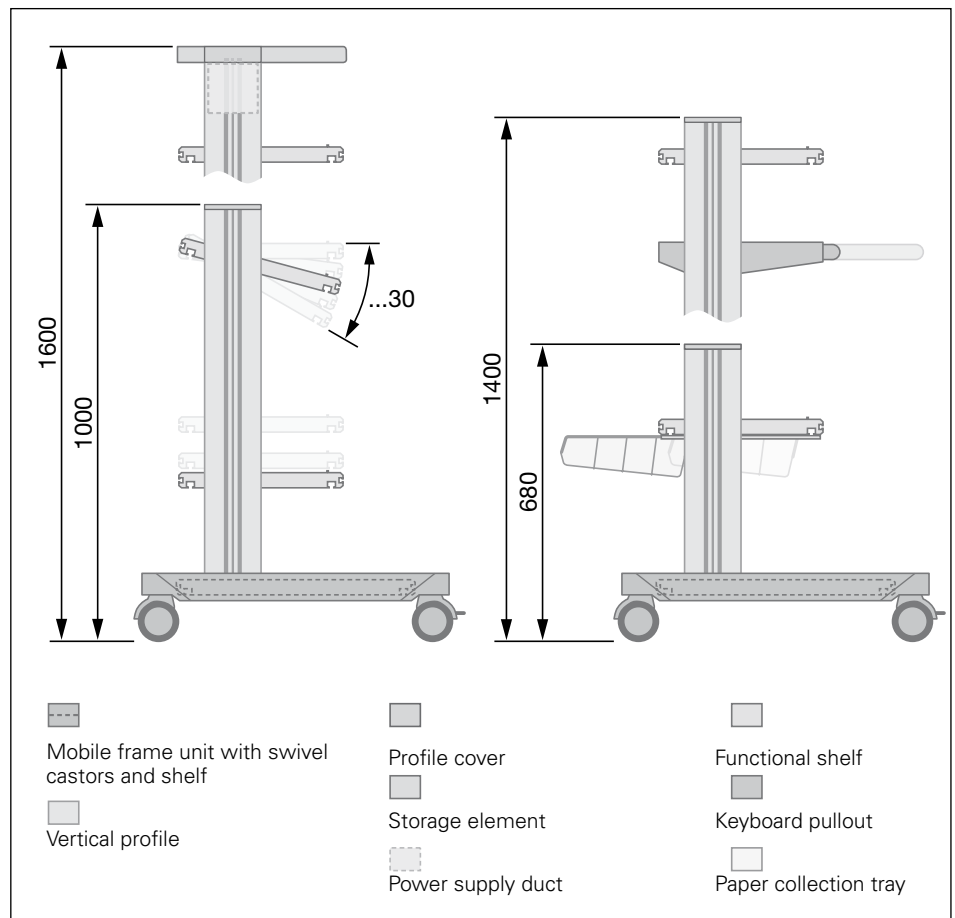
The functional shelves can be continuously inclined within the vertical profile, and are height-adjustable. A fibre rail integrated into the front serves as an anti-slip edge. Both longitudinal edges on the functional shelf have an aluminium grooved profile onto which additional storage trays, tool holders or inclined shelves can be mounted.

Power connections

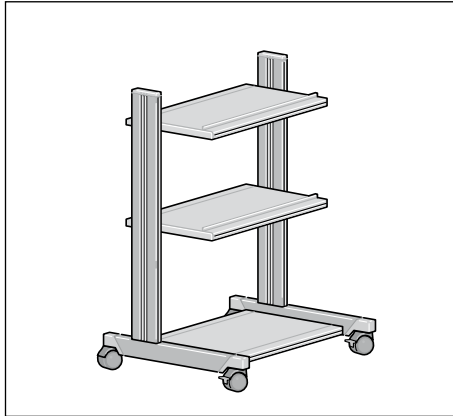
The attachments can be supplied with a 5 m-long mains cable and a winding device, either for AC current or 3-phase current connection (Cekon).

Note

We are happy to advise you as you put together the configuration you require, and will test this configuration for permissibility acc. the applicable standards!



Equipment trolley



Technical data

- InForm equipment trolleys
- 1 floor shelf, fixed
 - 2 functional shelves, adjustable

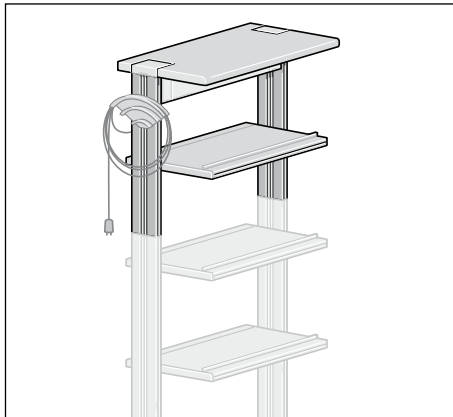
Width Depth Height

780	x 700	x 1000
700	x 480	x 34
705	x 400	x 34

Order no.

77-3A

Equipment trolley attachment



Technical data

- InForm equipment trolley attachment, matching 77-3A
- 1 storage element
 - 1 power supply duct 4WU₁₁₀ bare
 - 1 functional shelf
- for alternating current connection with Schuko plug
- For 3-phase current connection with CEE plug

Width Depth Height

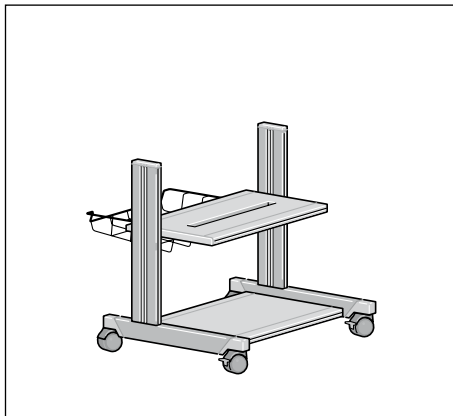
780	x 400	x 30
705	x 400	x 34
780	x 400	x 600
780	x 400	x 600

Order no.

77-3B

77-3C

Printer trolley



Technical data

- InForm printer trolley
- For A3 printer
- 1 floor shelf, fixed
 - 1 functional shelf with paper slit
 - 1 paper collection tray, for hanging, can be lowered beneath floor shelf

Width Depth Height

780	x 700	x 680
700	x 480	x 34
705	x 400	x 34
520	x 370	x 100

Order no.

77-3F

Note:
6x socket strip
81-2D Z01



Individual solutions

On the InForm Mobile units, the same profile systems are used as on the InForm workbenches. Whereas the standard mobile units (equipment trolleys) are completely assembled, the bi-Mobile units are able to hold specifically selected built-in components, and can therefore be configured according to requirements.

Expansions / Open-Space technology

Due to the patented Elabo connection technology, the InForm vertical profiles can be continued vertically infinitely with positive and force-fitting (Patent number 4214520). In this way, the expansion-capable Basic mobile unit can be adapted at any time with vertical profiles 1 or 2.

Functionality

InForm bi-Mobile units can be set up with different functional elements and have a maximum load capacity of 180 kg.

Basic equipment

All trolleys are equipped with a large shelf and 4 double swivel castors 100 mm in diameter.

Selection

The selection figures for installations and accessories clearly show the system quality of the InForm bi-Mobile units. The resulting diversity possible can fulfil any user requirements.

For example: A practical cable roll holder combined with an inclined shelf, and an expedient storage trolley for wiring work in device and switching cabinet construction.

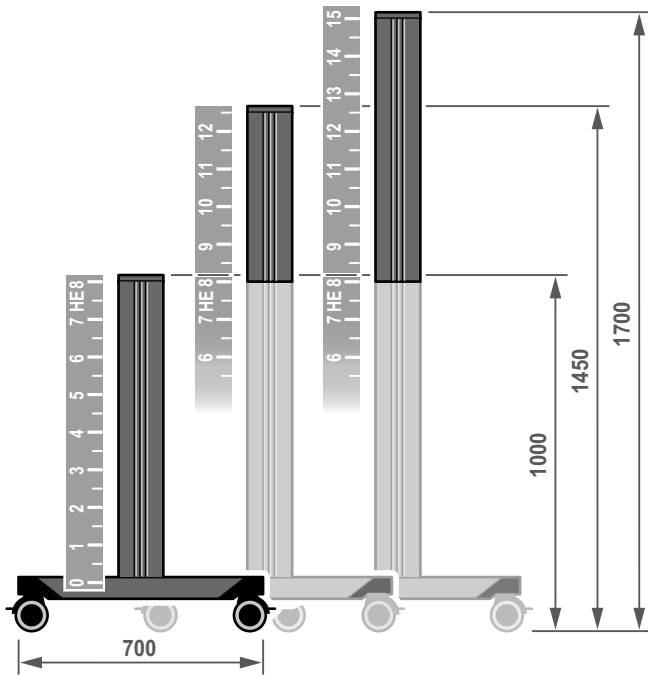
The shelf rollers have guide grooves for rollers and cable wiring. This saves time by enabling you to remove each cable roll individually.

The guide rollers can be labelled with removable labels and a water-resistant pen.

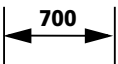


Changeability

The attachment parts and accessories can be mounted at any height within the system profile. This means that you are free to change the InForm Mobile unit configuration.



Installation height available in HU
(1 HU = 1 unit of height approx. 100 mm)

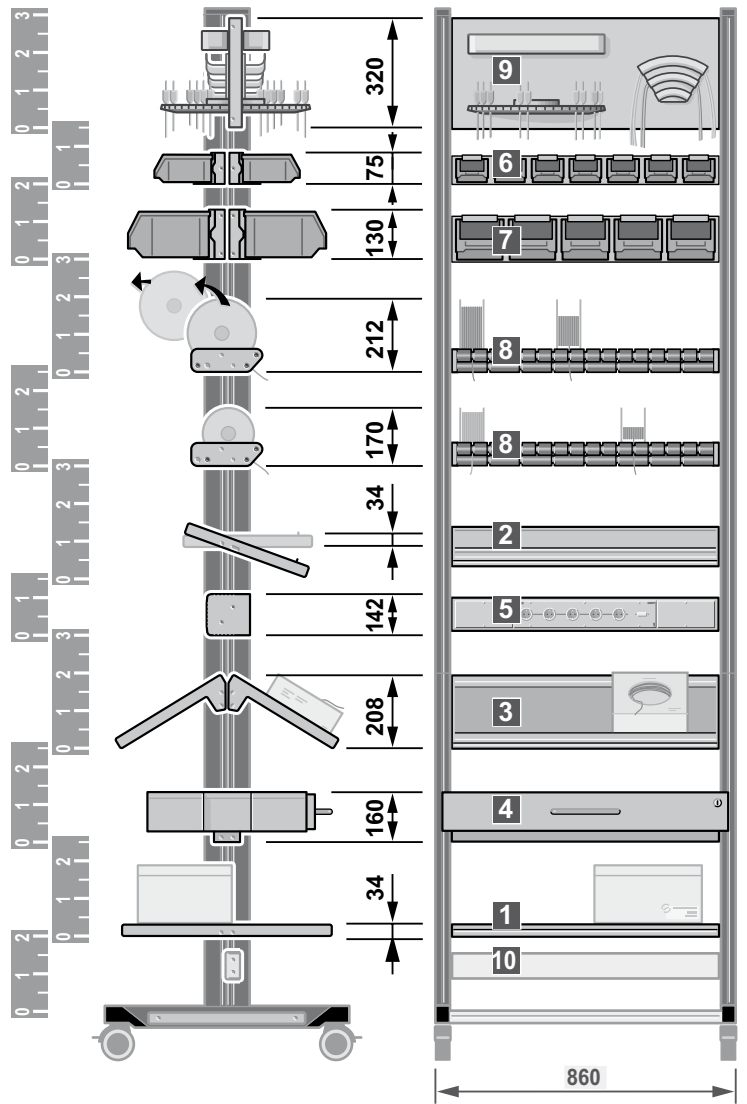


Total dimensions in mm

Unit of height

As a planning aid, and in order to determine the concept, the Basic mobile unit, vertical profiles and installation elements are divided into units of height (suggested installation space).

If required, the InForm bi-Mobile units can also be built in a far more compact manner (see installation height dimensions).



Expedient installation space in HU for installation elements



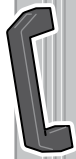
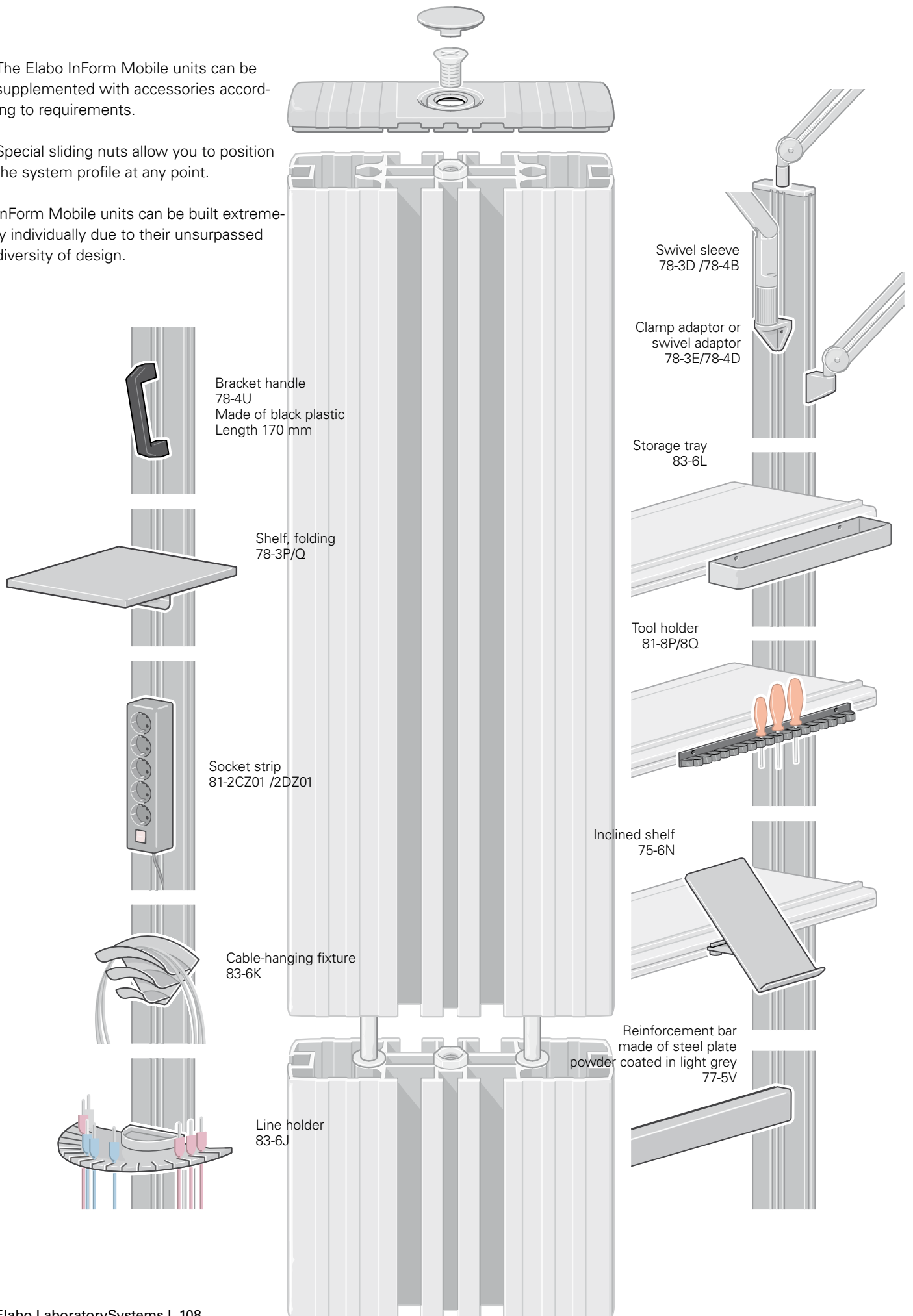
Construction element height in mm

- | | |
|--|---|
| 1 Functional shelf, large
77-5F (2.5 HU) | 2 Functional shelf, inclinable
77-5E (3 HU) |
| 3 Inclined functional shelf
can be used both sides
77-5G (3 HU) | 4 Wide drawer
77-5U (2.5 HU) |
| 5 Power supply duct
77-5T (1.5 HU) | 6 Chute rail, small
77-5J (1.5 HU) |
| 7 Chute rail, large
77-5K (2 HU) | 8 Cable roll magazine
77-5L (3 HU) |
| 9 Measurement line holder
77-5P/Q (3.5 HU) | 10 Reinforcement bar |

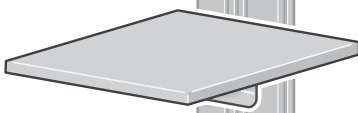
The Elabo InForm Mobile units can be supplemented with accessories according to requirements.

Special sliding nuts allow you to position the system profile at any point.

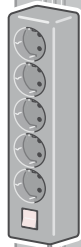
InForm Mobile units can be built extremely individually due to their unsurpassed diversity of design.



Bracket handle
78-4U
Made of black plastic
Length 170 mm



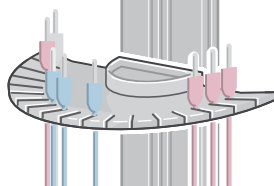
Shelf, folding
78-3P/Q



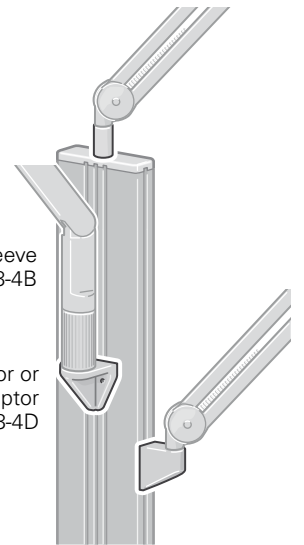
Socket strip
81-2CZ01 / 2DZ01



Cable-hanging fixture
83-6K



Line holder
83-6J



Swivel sleeve
78-3D / 78-4B

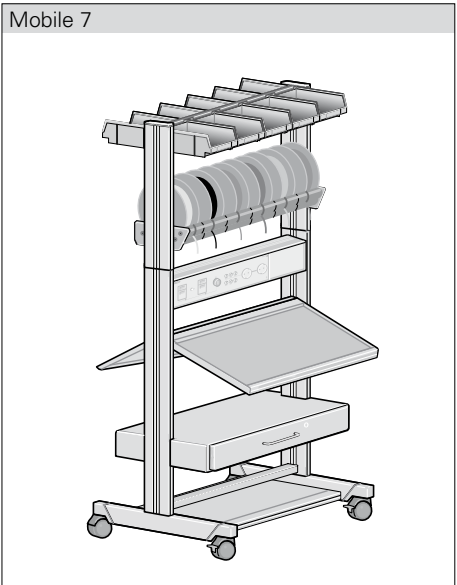
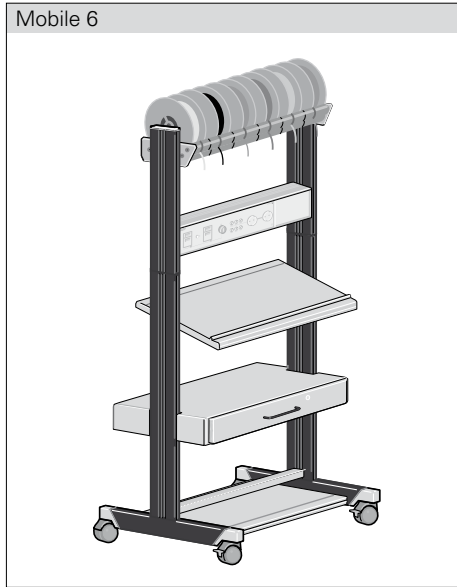
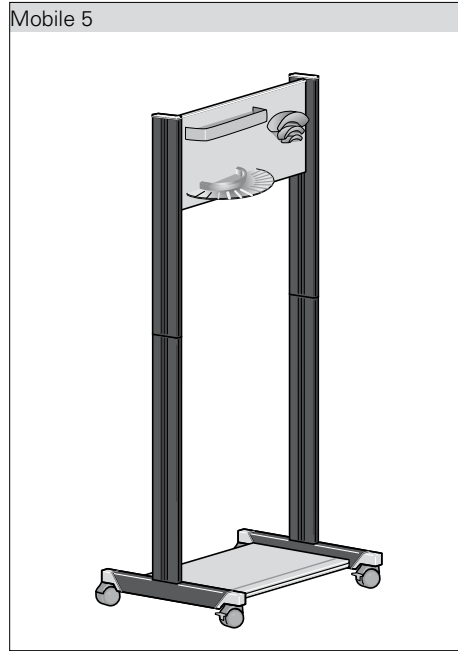
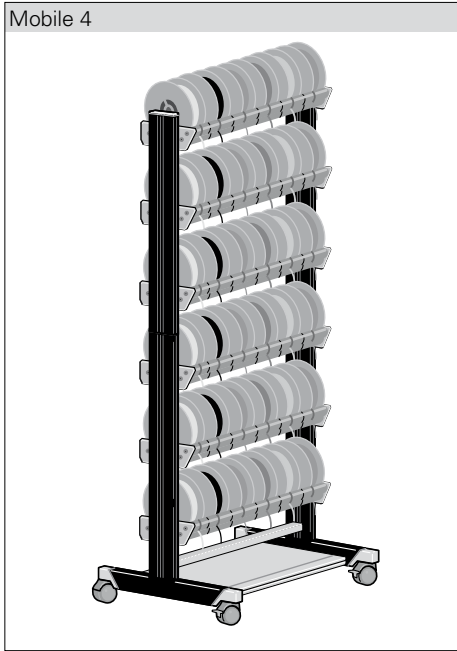
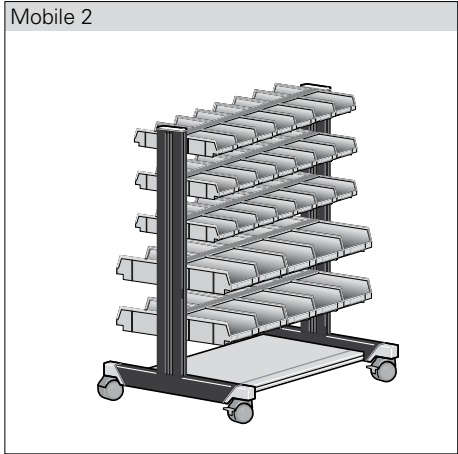
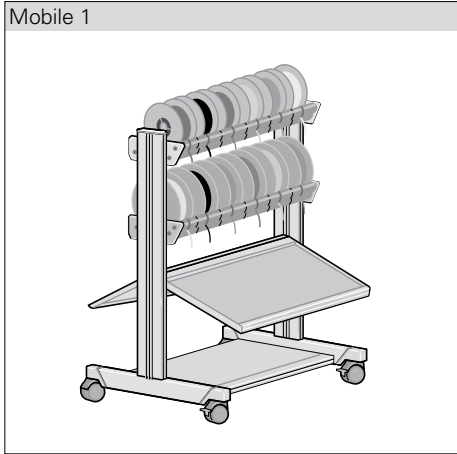
Clamp adaptor or
swivel adaptor
78-3E / 78-4D

Storage tray
83-6L

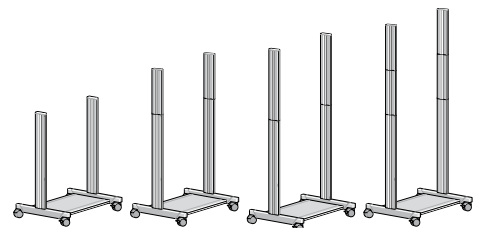
Tool holder
81-8P / 8Q

Inclined shelf
75-6N

Reinforcement bar
made of steel plate
powder coated in light grey
77-5V



- Basic mobile unit
H = 1000 mm (8 HU)
- Basic mobile unit + vertical profile 1
H = 1450 mm (12.5 HU)
- Basic mobile unit + vertical profile 2
H = 1700 mm (15 HU)
- Basic mobile unit + 2 x vertical profile 1
H = 1900 mm (17 HU)





Mobile 1	Page	Order no.
1 InForm Basic Mobile	111	77-5A
2 roller rails	113	77-5L
2 inclined shelves	112	77-5G

Mobile 2	Page	Order no.
1 InForm Basic Mobile	111	77-5A
6 chute rails, small	113	77-5J
4 chute rails, large	113	77-5K

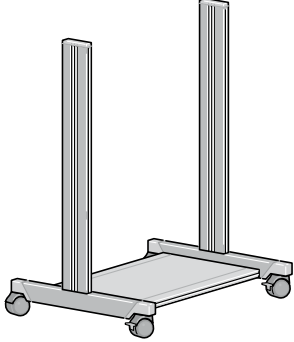
Mobile 3	Page	Order no.
1 InForm Basic Mobile	111	77-5A
1 functional shelf, large	112	77-5F
2 wide drawers	114	77-5U

Mobile 4	Page	Order no.
1 InForm Basic Mobile	111	77-5A
1 vertical profile 2 (7 HU)	111	77-5C
6 roller rails	113	77-5L
1 reinforcement bar		77-5V

Mobile 5	Page	Order no.
1 InForm Basis-Mobile	111	77-5A
1 vertical profile 2 (7 HU)	111	77-5C
1 Measurement line holder	114	77-5P

Mobile 6	Page	Order no.
1 InForm Basic Mobile	111	77-5A
1 vertical profile 1 (4.5 HU)	111	77-5B
1 roller rail	113	77-5L
1 power supply duct	114	77-5T Z01/Z03
1 functional shelf	112	77-5E
1 wide drawer	114	77-5U
1 reinforcement bar		77-5V

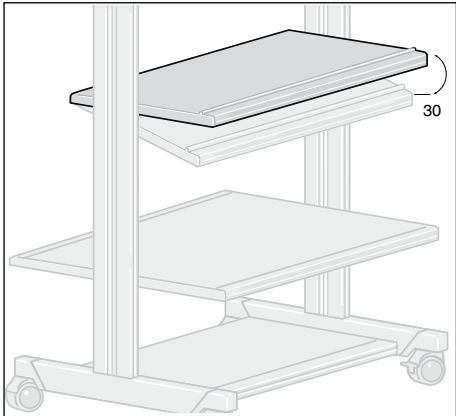
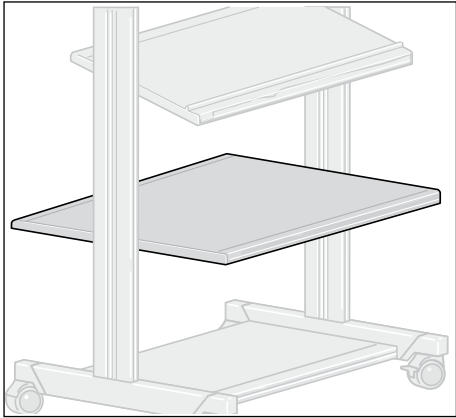
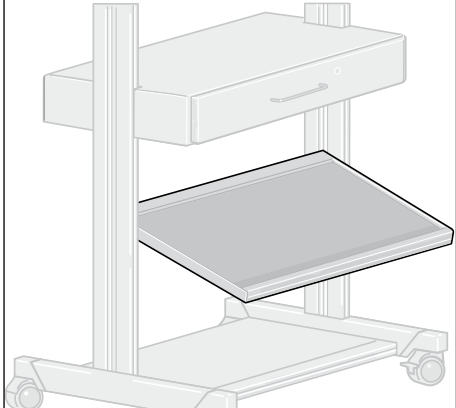
Mobile 7	Page	Order no.
1 InForm Basic Mobile	111	77-5A
1 vertical profile 1 (4.5 HU)	111	77-5B
2 chute rails, small	113	77-5J
1 roller rail	113	77-5L
1 power supply duct	114	77-5T Z01/Z03
2 inclined shelves	112	77-5G
1 wide drawer	114	77-5U
1 reinforcement bar		77-5V

Basic mobile unit		<p>Technical data</p> <p>InForm basic mobile unit with large floor shelf, 4 double swivel castors 100 mm in ø, 2 of these lockable.</p> <p>For variable installation of different functional elements</p> <p>Installation height clearance available approx. 8 HU</p>	<table border="1"> <thead> <tr> <th>Width</th> <th>Depth</th> <th>Height</th> </tr> </thead> <tbody> <tr> <td>860</td> <td>x 700</td> <td>x 1030</td> </tr> </tbody> </table>	Width	Depth	Height	860	x 700	x 1030	<table border="1"> <thead> <tr> <th>Order no.</th> </tr> </thead> <tbody> <tr> <td>77-5A</td> </tr> </tbody> </table>	Order no.	77-5A
Width	Depth	Height										
860	x 700	x 1030										
Order no.												
77-5A												

Vertical profile 1		<p>Technical data</p> <p>InForm vertical profile 1, for supplementing the basic mobile unit, consisting of 2 powder coated aluminium profiles inc. fastening fittings and profile covers.</p> <p>for additional installation height, clearance approx. 4.5 HU</p> <p>Total height with Basic mobile unit</p> <p>Advice required: 77-5V may be needed.</p>	<table border="1"> <thead> <tr> <th>Width</th> <th>Depth</th> <th>Height</th> </tr> </thead> <tbody> <tr> <td>34</td> <td>x 123</td> <td>x 450</td> </tr> <tr> <td colspan="2"></td> <td>1480</td> </tr> </tbody> </table>	Width	Depth	Height	34	x 123	x 450			1480	<table border="1"> <thead> <tr> <th>Order no.</th> </tr> </thead> <tbody> <tr> <td>77-5B</td> </tr> </tbody> </table>	Order no.	77-5B
Width	Depth	Height													
34	x 123	x 450													
		1480													
Order no.															
77-5B															

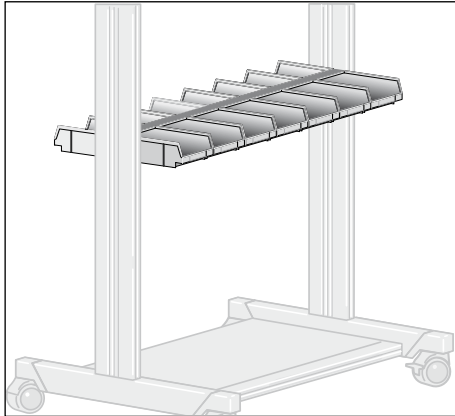
Vertical profile 2		<p>Technical data</p> <p>InForm vertical profile 2, Design as for vertical profile pair 1</p> <p>for additional installation height, clearance approx. 7 HU</p> <p>Total height with Basic mobile unit</p> <p>Advice required: 77-5V may be needed.</p> <p>Please specify colour variant.</p>	<table border="1"> <thead> <tr> <th>Width</th> <th>Depth</th> <th>Height</th> </tr> </thead> <tbody> <tr> <td>34</td> <td>x 123</td> <td>x 700</td> </tr> <tr> <td colspan="2"></td> <td>1730</td> </tr> </tbody> </table>	Width	Depth	Height	34	x 123	x 700			1730	<table border="1"> <thead> <tr> <th>Order no.</th> </tr> </thead> <tbody> <tr> <td>77-5C</td> </tr> </tbody> </table>	Order no.	77-5C
Width	Depth	Height													
34	x 123	x 700													
		1730													
Order no.															
77-5C															

Dimensions in mm

<p>Functional shelf</p> 	<p>Technical data</p> <p>InForm functional shelf, continuously height-adjustable, $\pm 30^\circ$ inclinable, both longitudinal sides with extruded aluminium profiles with screw ducts, integrated anti-slip edge inc. mounting material. Colour: light grey Approx. installation height 3 HU Area load 60 kg</p>	<table border="1"> <thead> <tr> <th>Width</th> <th>Depth</th> <th>Height</th> </tr> </thead> <tbody> <tr> <td>786</td> <td>x 400</td> <td>x 34</td> </tr> </tbody> </table>	Width	Depth	Height	786	x 400	x 34	<table border="1"> <thead> <tr> <th>Order no.</th> </tr> </thead> <tbody> <tr> <td>77-5E</td> </tr> </tbody> </table>	Order no.	77-5E
Width	Depth	Height									
786	x 400	x 34									
Order no.											
77-5E											
<p>Functional shelf</p> <p>Low design</p> 	<p>Technical data</p> <p>InForm functional shelf large, design as above but not inclinable; no anti-slip edge. Colour: light grey Approx. installation height 2.5 HU Area load 40 kg</p>	<table border="1"> <thead> <tr> <th>Width</th> <th>Depth</th> <th>Height</th> </tr> </thead> <tbody> <tr> <td>786</td> <td>x 600</td> <td>x 34</td> </tr> </tbody> </table>	Width	Depth	Height	786	x 600	x 34	<table border="1"> <thead> <tr> <th>Order no.</th> </tr> </thead> <tbody> <tr> <td>77-5F</td> </tr> </tbody> </table>	Order no.	77-5F
Width	Depth	Height									
786	x 600	x 34									
Order no.											
77-5F											
<p>Functional shelf</p> <p>Inclined design</p> 	<p>Technical data</p> <p>InForm inclined functional shelf for storing cables, chutes, and tools etc. 2 longitudinal aluminium profiles with screw duct, chamfered aluminium floor plate, all parts powder coated. Colour: light grey Approx. installation height 3 HU Area load 40 kg</p>	<table border="1"> <thead> <tr> <th>Width</th> <th>Depth</th> <th>Height</th> </tr> </thead> <tbody> <tr> <td>786</td> <td>x 340</td> <td>x 208</td> </tr> </tbody> </table> <p>Dimensions in mm</p>	Width	Depth	Height	786	x 340	x 208	<table border="1"> <thead> <tr> <th>Order no.</th> </tr> </thead> <tbody> <tr> <td>77-5G</td> </tr> </tbody> </table>	Order no.	77-5G
Width	Depth	Height									
786	x 340	x 208									
Order no.											
77-5G											



Chute, small



Technical data

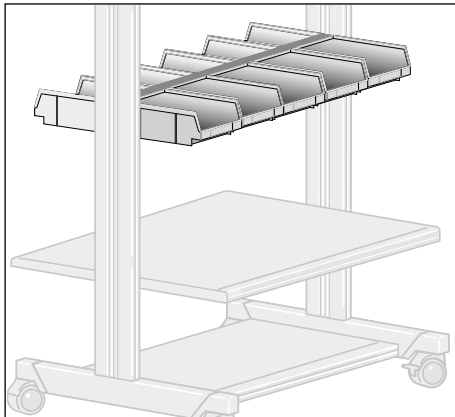
InForm chute rail, small, complete with 7 storage boxes made of plastic, support rail made of steel plate, for one or double-sided installation into vertical profiles.
Colour: light grey

Storage box outer dimensions
Chute rail

Approx. installation height
1.5 HU

Width	Depth	Height	Order no.
95	160	75	77-5J
786			

Chute, large



Technical data

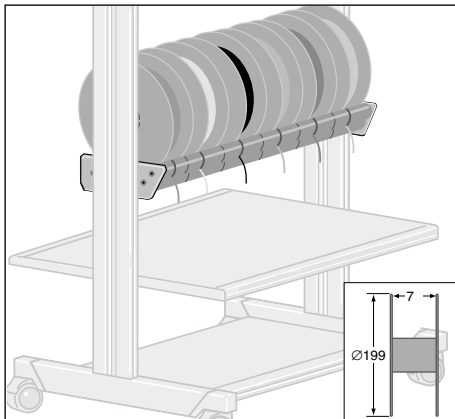
InForm chute rail, large, complete with 5 storage boxes made of plastic, support rail made of steel plate, for one or double-sided installation into vertical profiles.
Colour: light grey

Storage box outer dimensions
Chute rail

Approx. installation height
2 HU

Width	Depth	Height	Order no.
140	230	130	77-5K
786			

Roller rail

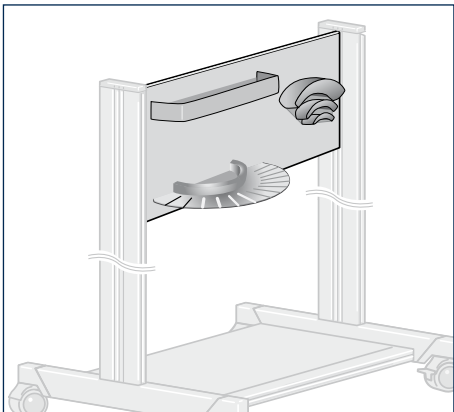



Technical data

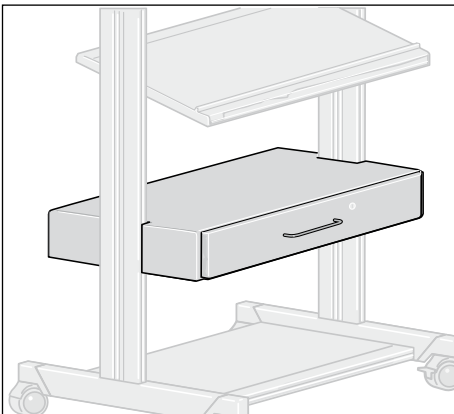
InForm cable roll magazine with 3 x roller rails for 8 cable rolls, 200 mm ø, retrofittable for 8 cable rolls, 150 mm ø, suitable for plastic rolls with a uniform roller width of 79 mm, Approx. installation height 3 HU
189 labels on DIN-A4 sheet, inc. felt-tip pen (not shown).

Width	Depth	Height	Order no.
786	200	70	77-5L
25.4 x			77-5M
			10
Dimensions in mm			



Measurement line holder	Technical data	Width	Depth	Height	Order no.
	InForm measurement line holder with storage tray 83-6L, cable holder 83-6J and hanging device 83-6K				
	Equipped on one side	786	220	320	77-5P
	Equipped both sides	786	420	320	77-5Q
	Approx. installation height 3.5 HU				

Power supply duct	Technical data	Width	Depth	Height	Order no.
	System 3 HU supply duct, suitable for 144HP, complete with 2.5 m connection cable				
	Connection cable with: Schuko plug CEE plug	786	160	142	77-5T Z01
		786	160	142	77-5T Z03

Wide drawer	Technical data	Width	Depth	Height	Order no.
	With lock, 19 mm-thick wooden unit with impact-resistant edge strips, postformed panel with steel bracket handle, organisation drawer made of steel plate with full telescopic pullout	818	450	160	77-5U
	Approx. installation height 2.5 HU				
	Drawer load capacity: Partial pullout 250 N Full telescopic pullout 450 N				
		Dimensions in mm			



For organisation elements for wide drawers, see Elabo Cabinet Systems.



Thanks to the 3HU aluminium channel for bringing in power supply systems and measurement and testing equipment, mobile units from Elabo are full-fledged work stations for mobile utilization.

Special mobile units for the education can be found in our EducationSystems catalogue.

