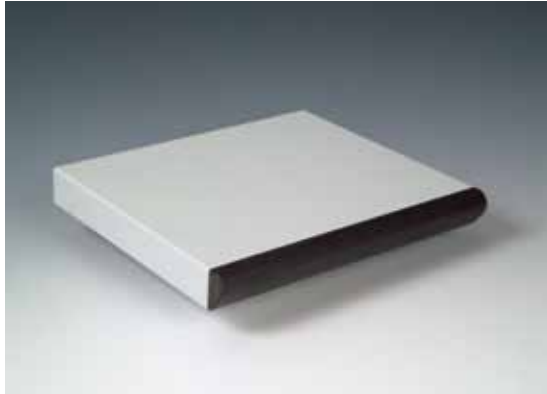


Tabletops and furniture surfaces



30 mm panel with replaceable edge,  
Antistatic, light grey



30 mm panel with impact-resistant edge band  
light grey

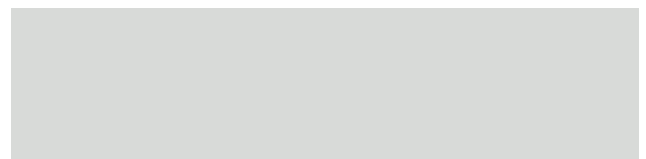


30 mm postformed edge, light grey



30 mm beech multiplex panel






Table superstructures,  
base cabinets and handles



lightgrey RAL 7035 colour variant lg





Optional furniture surfaces: maple, beech


Table frame		Technical data	Width Depth	Order no.
Table frame		<p>4 height-adjustable table legs made of 50 x 50 mm square steel pipe, adjustment range 740 - 800 mm, preset to 780 mm (each inc. tabletop)</p> <p>Table legs can be dismantled</p> <p>Welded steel pipe frame made of 40 x 25 mm and rectangular steel pipe 40x40</p> <p>3rd transverse frame for mounting suspended base cabinets</p> <p>Area load 150 kg</p> <p>Auxiliary option ESD, see page L127 </p>	1990 x 950	E1-1A
			1790 x 950	E1-1B
			1590 x 950	E1-1C
			1490 x 950	E1-1D
			1190 x 950	E1-1E
			1990 x 850	E1-1G
			1790 x 850	E1-1H
			1590 x 850	E1-1J
			1490 x 850	E1-1K
			1190 x 850	E1-1L
			1990 x 750	E1-1N
			1790 x 750	E1-1P
			1590 x 750	E1-1Q
1490 x 750	E1-1R			
1190 x 750	E1-1S			
Table frame Reinforced design		<p>With additional H-strut made of 30 mm rectangular steel pipe</p> <p>Area load 200 kg</p> <p>Auxiliary option ESD, see page L127 </p>	1990 x 950	E1-2A
			1790 x 950	E1-2B
			1590 x 950	E1-2C
			1490 x 950	E1-2D
			1190 x 950	E1-2E
			1990 x 850	E1-2G
			1790 x 850	E1-2H
			1590 x 850	E1-2J
			1490 x 850	E1-2K
			1190 x 850	E1-2L
			1990 x 750	E1-2N
			1790 x 750	E1-2P
			1590 x 750	E1-2Q
1490 x 750	E1-2R			
1190 x 750	E1-2S			
Table frame Mobile		<p>With additional H-strut, rectangular steel pipe and conductive swivel castors with a diameter of 125 mm; two of these are lockable. The mobile table frame is not height-adjustable.</p> <p>Area load 200 kg</p>	1990 x 950	E1-3A
			1790 x 950	E1-3B
			1590 x 950	E1-3C
			1490 x 950	E1-3D
			1190 x 950	E1-3E
			1990 x 850	E1-3G
			1790 x 850	E1-3H
			1590 x 850	E1-3J
			1490 x 850	E1-3K
			1190 x 850	E1-3L
			1990 x 750	E1-3N
			1790 x 750	E1-3P
			1590 x 750	E1-3Q
1490 x 750	E1-3R			
1190 x 750	E1-3S			

Dimensions in mm






Tabletop		Technical data	Width Depth	Standard	ESD
Laminate 30 mm thick		Robust worktop with removable front edge	2000 x 1000	E2-1A	E2-5A
			1800 x 1000	E2-1B	E2-5B
Replaceable edge at front		Chipboard with 0.8 mm thick, extremely hard and abrasion-resistant plastic coating, surface slightly structured and anti-glare, temporarily heat-resistant up to 180°C, resistant against organic solvents, mild acids and lyes as well as petrol and oil.	1600 x 1000	E2-1C	E2-5C
			1500 x 1000	E2-1D	E2-5D
			1200 x 1000	E2-1E	E2-5E
		Impact-resistant plastic edge band on 3 sides. Front side has ergonomically-shaped, replaceable black table edge.	2000 x 900	E2-1G	E2-5G
			1800 x 900	E2-1H	E2-5H
			1600 x 900	E2-1J	E2-5J
			1500 x 900	E2-1K	E2-5K
			1200 x 900	E2-1L	E2-5L
			2000 x 800	E2-1N	E2-5N
			1800 x 800	E2-1P	E2-5P
			1600 x 800	E2-1Q	E2-5Q
			1500 x 800	E2-1R	E2-5R
			1200 x 800	E2-1S	E2-5S


Tabletop		Technical data	Width Depth	Standard	ESD
Laminate 30 mm thick		Robust worktop able to cope with high demands	2000 x 1000	E2-2A	E2-6A
			1800 x 1000	E2-2B	E2-6B
		Chipboard with 0.8 mm thick, extremely hard and abrasion-resistant plastic coating, surface slightly structured and anti-glare, temporarily heat-resistant up to 180°C, resistant against organic solvents, mild acids and lyes as well as petrol and oil.	1600 x 1000	E2-2C	E2-6C
			1500 x 1000	E2-2D	E2-6D
			1200 x 1000	E2-2E	E2-6E
			2000 x 900	E2-2G	E2-6G
			1800 x 900	E2-2H	E2-6H
			1600 x 900	E2-2J	E2-6J
		Impact-resistant plastic edge band all round.	1500 x 900	E2-2K	E2-6K
			1200 x 900	E2-2L	E2-6L
			2000 x 800	E2-2N	E2-6N
			1800 x 800	E2-2P	E2-6P
			1600 x 800	E2-2Q	E2-6Q
			1500 x 800	E2-2R	E2-6R
		Colour: light grey	1200 x 800	E2-2S	E2-6S


Tabletop		Technical data	Width Depth	Standard	ESD
Laminate 30 mm thick		as above, but: Ergonomic front postformed edge, all other edges have impact-resistant plastic edge band	2000 x 1000	E2-3A	E2-7A
			1800 x 1000	E2-3B	E2-7B
Postformed edge at front			1600 x 1000	E2-3C	E2-7C
			1500 x 1000	E2-3D	E2-7D
1200 x 1000	E2-3E		E2-7E		
			2000 x 900	E2-3G	E2-7G
			1800 x 900	E2-3H	E2-7H
			1600 x 900	E2-3J	E2-7J
			1500 x 900	E2-3K	E2-7K
			1200 x 900	E2-3L	E2-7L
			2000 x 800	E2-3N	E2-7N
			1800 x 800	E2-3P	E2-7P
			1600 x 800	E2-3Q	E2-7Q
			1500 x 800	E2-3R	E2-7R
		1200 x 800	E2-3S	E2-7S	



Tabletop		Technical data	Width Depth	Standard.	ESD
Beech multiplex 30 mm thick		<p>Strong worktop panel</p> <p>made of multi-layer plywood: 14 hardwood layers, glued crosswise, water resistant acc. DIN.</p> <p>Colour: natural beech</p>	2000 x 1000	E2-4A	
			1800 x 1000	E2-4B	
			1600 x 1000	E2-4C	
			1500 x 1000	E2-4D	
			1200 x 1000	E2-4E	
			2000 x 900	E2-4G	
			1800 x 900	E2-4H	
			1600 x 900	E2-4J	
			1500 x 900	E2-4K	
			1200 x 900	E2-4L	
			2000 x 800	E2-4N	
			1800 x 800	E2-4P	
			1600 x 800	E2-4Q	
			1500 x 800	E2-4R	
			1200 x 800	E2-4S	

Stabilising strut		Technical data	For table	Width Depth	ESD
		<p>Stabilisation strut made of 30 mm square steel pipe for reinforcement of the table legs under increased load</p>	2000 x 1000	1930 x 850	E4-1A
			1800 x 1000	1730 x 850	E4-1B
			1600 x 1000	1530 x 850	E4-1C
			1500 x 1000	1430 x 850	E4-1D
			1200 x 1000	1130 x 850	E4-1E
					E4-1G
			2000 x 900	1930x 750	E4-1H
			1800 x 900	1730x 750	E4-1J
			1600 x 900	1530x 750	E4-1K
			1500 x 900	1430x 750	E4-1L
			1200 x 900	1130x 750	E4-1N
					E4-1P
			2000 x 800	1930x 650	E4-1Q
			1800 x 800	1730x 650	E4-1R
			1600 x 800	1530x 650	E4-1S
			1500 x 800	1430x 650	
			1200 x 800	1130x 650	

ESD utilisation springs		Technical data	Width Depth	Standard.	ESD
For EcoTec <sup>SP</sup> tables		<p>ESD utilisation springs (1 pair)</p> <p>The two utilisation springs enable a conductive connection between the table legs or between the table frame of the EcoTec<sup>SP</sup> tables and the floor.</p> <p>Installation is accomplished 1x in the left front table leg and 1x in the right rear table leg.</p>			E1-4X

Intermediate panel		Technical data	Width Depth	Standard.	ESD
Laminate 30 mm thick		<p>Robust intermediate panel for high demands</p>	1950 x 450	E4-2A	E4-5A
			1750 x 450	E4-2B	E4-5B
			1550 x 450	E4-2C	E4-5C
			1450 x 450	E4-2D	E4-5D
			1150 x 450	E4-2E	E4-5E
			1950 x 350	E4-2G	E4-5G
			1750 x 350	E4-2H	E4-5H
			1550 x 350	E4-2J	E4-5J
			1450 x 350	E4-2K	E4-5K
			1150 x 350	E4-2L	E4-5L



Corner panel 90°		Technical data	Width Depth	Standard	ESD
Square		Inc. supporting foot			
		Laminate 30 mm thick Replaceable front edge	1040 x 1040 940 x 940 840 x 840	E3-1A E3-1B E3-1C	E3-5A E3-5B E3-5C
		Laminate 30 mm thick	1000 x 1000 900 x 900 800 x 800	E3-2A E3-2B E3-2C	E3-6A E3-6B E3-6C
Outer side length		Laminate 30 mm thick Postformed edge at front	1040 x 1040 940 x 940 840 x 840	E3-3A E3-3B E3-3C	E3-7A E3-7B E3-7C
Laminate 30 mm thick + 0 mm		Beech multiplex	1000 x 1000 900 x 900 800 x 800	E3-4A E3-4B E3-4C	
Replaceable front edge and postformed edge + 40 mm					

Corner panel 90°		Technical data	Width Depth	Standard	ESD
Rectangular		Inc. supporting foot			
		Laminate 30 mm thick Replaceable front edge	940 x 1040 840 x 1040 840 x 940	E3-1D E3-1E E3-1F	E3-5D E3-5E E3-5F
		Laminate 30 mm thick	900 x 1000 800 x 1000 800 x 900	E3-2D E3-2E E3-2F	E3-6D E3-6E E3-6F
Outer side length		Laminate 30 mm thick Postformed edge at front	940 x 1040 840 x 1040 840 x 940	E3-3D E3-3E E3-3F	E3-7D E3-7E E3-7F
Laminate 30 mm thick + 0 mm		Beech multiplex	900 x 1000 800 x 1000 800 x 900	E3-4D E3-4E E3-4F	
Replaceable front edge and postformed edge + 40 mm					

Corner panel 90°		Technical data	Width Depth	Standard	ESD
Rectangular		Inc. supporting foot			
		Laminate 30 mm thick Replaceable front edge	1040 x 940 1040 x 840 940 x 840	E3-1G E3-1H E3-1J	E3-5G E3-5H E3-5J
		Laminate 30 mm thick	1000 x 900 1000 x 800 900 x 800	E3-2G E3-2H E3-2J	E3-6G E3-6H E3-6J
Outer side length		Laminate 30 mm thick Postformed edge at front	1040 x 940 1040 x 840 940 x 840	E3-3G E3-3H E3-3J	E3-7G E3-7H E3-7J
Laminate 30 mm thick + 0 mm		Beech multiplex	1000 x 900 1000 x 800 900 x 800	E3-4G E3-4H E3-4J	
Replaceable front edge and postformed edge + 40 mm					

Dimensions in mm


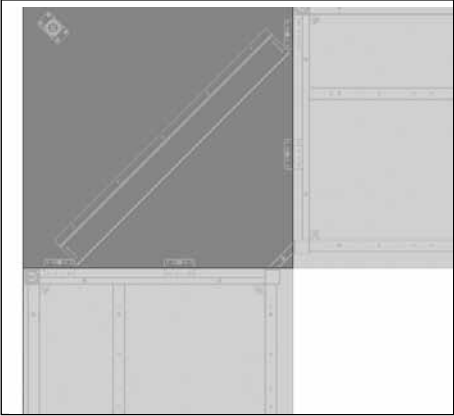
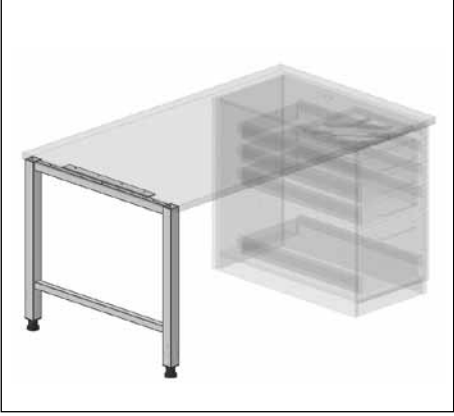



CAD corner panel 90°		Technical data	Width Depth	Standard	ESD
Square		Inc. supporting foot, leg at front	600		
		Laminate 30 mm thick Replaceable front edge	1000 x 1000 900 x 900 800 x 800	E3-1N E3-1P E3-1Q	E3-5N E3-5P E3-5Q
		Laminate 30 mm thick	1000 x 1000 900 x 900 800 x 800	E3-2N E3-2P E3-2Q	E3-6N E3-6P E3-6Q
		Laminate 30 mm thick Postformed edge at front	1000 x 1000 900 x 900 800 x 800	E3-3N E3-3P E3-3Q	E3-7N E3-7P E3-7Q
Outer side length + 425 mm					

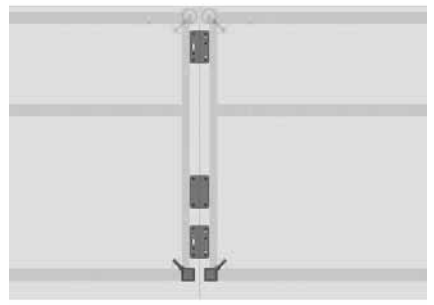

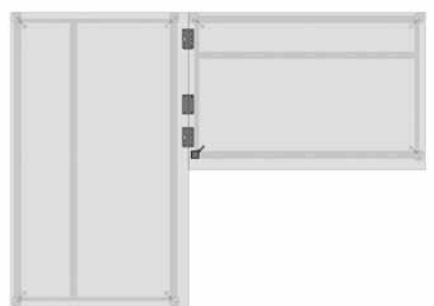




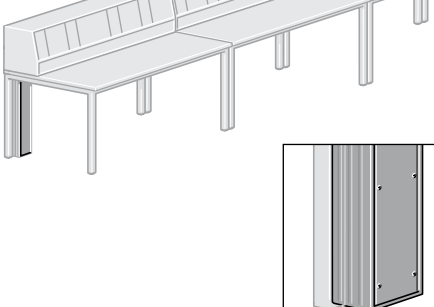
CAD corner panel 90°		Technical data	Width Depth	Standard	ESD
Rectangular		Inc. supporting foot, leg at front	600		
		Laminate 30 mm thick Replaceable front edge	900 x 1000 800 x 1000 800 x 900	E3-1R E3-1S E3-1T	E3-5R E3-5S E3-5T
		Laminate 30 mm thick	900 x 1000 800 x 1000 800 x 900	E3-2R E3-2S E3-2T	E3-6R E3-6S E3-6T
		Laminate 30 mm thick Postformed edge at front	900 x 1000 800 x 1000 800 x 900	E3-3R E3-3S E3-3T	E3-7R E3-7S E3-7T
Outer side length + 425 mm					

CAD corner panel 90°		Technical data	Width Depth	Standard	ESD
Rectangular		Inc. supporting foot, leg at front	600		
		Laminate 30 mm thick Replaceable front edge	1000 x 900 1000 x 800 900 x 800	E3-1U E3-1V E3-1W	E3-5U E3-5V E3-5W
		Laminate 30 mm thick	1000 x 900 1000 x 800 900 x 800	E3-2U E3-2V E3-2W	E3-6U E3-6V E3-6W
		Laminate 30 mm thick Postformed edge at front	1000 x 900 1000 x 800 900 x 800	E3-3U E3-3V E3-3W	E3-7U E3-7V E3-7W
Outer side length + 425 mm					

Dimensions in mm

Cable tray		<p><b>Technical data</b></p> <p>Made of steel plate, for installation underneath the tabletop                      Effective depth 82 mm,                      Effective height 75 mm                      Inc. 2 strain relief devices on the outside left and right-hand side</p> <p>For table width 2000                      For table width 1800                      For table width 1600                      For table width 1500                      For table width 1200</p>	<table border="1"> <thead> <tr> <th>Width</th> <th>Depth</th> <th>Height</th> </tr> </thead> <tbody> <tr> <td>1880 x</td> <td>85 x</td> <td>110</td> </tr> <tr> <td>1680 x</td> <td>85 x</td> <td>110</td> </tr> <tr> <td>1480 x</td> <td>85 x</td> <td>110</td> </tr> <tr> <td>1380 x</td> <td>85 x</td> <td>110</td> </tr> <tr> <td>1080 x</td> <td>85 x</td> <td>110</td> </tr> </tbody> </table>	Width	Depth	Height	1880 x	85 x	110	1680 x	85 x	110	1480 x	85 x	110	1380 x	85 x	110	1080 x	85 x	110	<table border="1"> <thead> <tr> <th>Order no.</th> </tr> </thead> <tbody> <tr> <td>E4-8A</td> </tr> <tr> <td>E4-8B</td> </tr> <tr> <td>E4-8C</td> </tr> <tr> <td>E4-8D</td> </tr> <tr> <td>E4-8E</td> </tr> </tbody> </table>	Order no.	E4-8A	E4-8B	E4-8C	E4-8D	E4-8E				
Width	Depth	Height																														
1880 x	85 x	110																														
1680 x	85 x	110																														
1480 x	85 x	110																														
1380 x	85 x	110																														
1080 x	85 x	110																														
Order no.																																
E4-8A																																
E4-8B																																
E4-8C																																
E4-8D																																
E4-8E																																
Corner cable tray		<p><b>Technical data</b></p> <p>Made of steel plate, for mounting diagonally under the corner plate, further data as above</p> <p>For corner panel 1000x1000                      For corner panel 900x900                      For corner panel 800x800</p> <p>For CAD corner panel 1000x1000                      For CAD corner panel 900x900                      For CAD corner panel 800x800</p>	<table border="1"> <thead> <tr> <th>Width</th> <th>Depth</th> <th>Height</th> </tr> </thead> <tbody> <tr> <td>1140 x</td> <td>85 x</td> <td>110</td> </tr> <tr> <td>1000 x</td> <td>85 x</td> <td>110</td> </tr> <tr> <td>860 x</td> <td>85 x</td> <td>110</td> </tr> <tr> <td>1740 x</td> <td>85 x</td> <td>110</td> </tr> <tr> <td>1600 x</td> <td>85 x</td> <td>110</td> </tr> <tr> <td>1460 x</td> <td>85 x</td> <td>110</td> </tr> </tbody> </table>	Width	Depth	Height	1140 x	85 x	110	1000 x	85 x	110	860 x	85 x	110	1740 x	85 x	110	1600 x	85 x	110	1460 x	85 x	110	<table border="1"> <thead> <tr> <th>Order no.</th> </tr> </thead> <tbody> <tr> <td>E4-8F</td> </tr> <tr> <td>E4-8H</td> </tr> <tr> <td>E4-8J</td> </tr> <tr> <td>E4-8K</td> </tr> <tr> <td>E4-8L</td> </tr> <tr> <td>E4-8N</td> </tr> </tbody> </table>	Order no.	E4-8F	E4-8H	E4-8J	E4-8K	E4-8L	E4-8N
Width	Depth	Height																														
1140 x	85 x	110																														
1000 x	85 x	110																														
860 x	85 x	110																														
1740 x	85 x	110																														
1600 x	85 x	110																														
1460 x	85 x	110																														
Order no.																																
E4-8F																																
E4-8H																																
E4-8J																																
E4-8K																																
E4-8L																																
E4-8N																																
Tabletop support		<p><b>Technical data</b></p> <p>For one-sided support of the tabletop with floor cabinet. Design as for table frame</p> <p>For tabletop depth 1000                      For tabletop depth 900                      For tabletop depth 800</p>	<table border="1"> <thead> <tr> <th>Width</th> <th>Depth</th> <th>Height</th> </tr> </thead> <tbody> <tr> <td></td> <td>950</td> <td></td> </tr> <tr> <td></td> <td>850</td> <td></td> </tr> <tr> <td></td> <td>750</td> <td></td> </tr> </tbody> </table>	Width	Depth	Height		950			850			750		<table border="1"> <thead> <tr> <th>Order no.</th> </tr> </thead> <tbody> <tr> <td>E4-8R</td> </tr> <tr> <td>E4-8S</td> </tr> <tr> <td>E4-8T</td> </tr> </tbody> </table>	Order no.	E4-8R	E4-8S	E4-8T												
Width	Depth	Height																														
	950																															
	850																															
	750																															
Order no.																																
E4-8R																																
E4-8S																																
E4-8T																																
PC bracket		<p><b>Technical data</b></p> <p>For mounting under the tabletop with flange plate. Locking via 4 star knob screws</p> <p>Adjusting range:</p> <p>Horizontal:                      B = 350 ... 460; H = 180 ... 280</p> <p>Vertical:                      B = 130 ... 240; H = 390 ... 510</p>	<table border="1"> <thead> <tr> <th>Width</th> <th>Depth</th> <th>Height</th> </tr> </thead> <tbody> <tr> <td>130...240 x</td> <td>250 x</td> <td>390...510</td> </tr> </tbody> </table> <p>Dimensions in mm</p>	Width	Depth	Height	130...240 x	250 x	390...510	<table border="1"> <thead> <tr> <th>Order no.</th> </tr> </thead> <tbody> <tr> <td>A9-2A</td> </tr> </tbody> </table>	Order no.	A9-2A																				
Width	Depth	Height																														
130...240 x	250 x	390...510																														
Order no.																																
A9-2A																																

Suitable fittings are available for a row or corner connection of EcoTec<sup>SP</sup> tables without legs. The standard series EcoTec<sup>SP</sup> table frames are already pre-equipped for this function, meaning that later conversions are easily possible.

Connector for row of tables		<p><b>Technical data</b></p> <p>For row combinations of EcoTec<sup>SP</sup> tables, front leg recessed</p> <p>Auxiliary option ESD, see page L127</p> 	<p><b>Additional fittings</b></p> <p>1 supporting foot with flange plate H = 710-770 mm 2 connecting links 2 corner end pieces</p>	<p><b>Order no.</b></p> <p>E4-9A</p>									
Connector for corner tables		<p><b>Technical data</b></p> <p>for corner combinations of 2 EcoTec<sup>SP</sup> tables, Corner connection without legs</p> <p>Auxiliary option ESD, see page L127</p> 	<p><b>Additional fittings</b></p> <p>1 supporting foot with flange plate H = 710-770 mm 2 connecting links 1 corner end piece</p>	<p><b>Order no.</b></p> <p>E4-9E</p>									
Table leg fixture		<p><b>Technical data</b></p> <p>For engaging the table to the floor, plastic sleeve for screwing to the floor, the EcoTec<sup>SP</sup> table leg can then be readily attached afterwards</p> <p>Alternative: Z-bracket (2 pieces), colour: black</p>		<p><b>Order no.</b></p> <p>E4-9G</p> <p>E4-9G ZX01</p>									
Supporting foot		<p><b>Technical data</b></p> <p>EcoTec<sup>SP</sup> table leg with flange plate for additional table reinforcement for heavy loads, Adjusting range 710 - 770 mm, preset to 750 mm</p> <p>Auxiliary option ESD, see page L127</p> 	<table border="1"> <thead> <tr> <th>Width</th> <th>Depth</th> <th>Height</th> </tr> </thead> <tbody> <tr> <td>120 x</td> <td>120 x</td> <td>750</td> </tr> </tbody> </table>	Width	Depth	Height	120 x	120 x	750	<p><b>Order no.</b></p> <p>E4-9K</p>			
Width	Depth	Height											
120 x	120 x	750											
Cable duct		<p><b>Technical data</b></p> <p>Powder coated aluminium cable duct for securing to the floor and to the underside of the table.</p> <p>Plastic cable duct for line routing</p>	<table border="1"> <thead> <tr> <th>Width</th> <th>Depth</th> <th>Height</th> </tr> </thead> <tbody> <tr> <td>115 x</td> <td>120 x</td> <td>750</td> </tr> <tr> <td>42 x</td> <td>45 x</td> <td>2000</td> </tr> </tbody> </table> <p>Dimensions in mm</p>	Width	Depth	Height	115 x	120 x	750	42 x	45 x	2000	<p><b>Order no.</b></p> <p>01-8S</p> <p>01-8R</p>
Width	Depth	Height											
115 x	120 x	750											
42 x	45 x	2000											

Supplementary to the Elabo EcoTec furniture range, conference and meeting rooms can now be fitted in matching colours. A harmonious overall picture results if the conference stools also available are used.

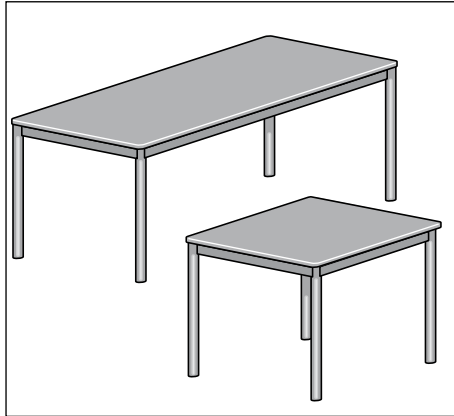


Using the table elements available, many attractive placement variants can be set up. In just a few steps, the tables can be moved to form other configurations.

A 19 mm-thick decorative chipboard panel with a fine structure is used as the tabletop, which, like the EcoTec standard tables, is melamine resin-coated in light grey; the corner radius is 50 mm. A 2 mm-thick plastic edge protects the tabletop against impacts or shocks. The circumferential steel pipe rectangular frame is 50 mm high; the table legs made of 40 mm round pipe can be dismantled and the light grey metal parts are powder coated.

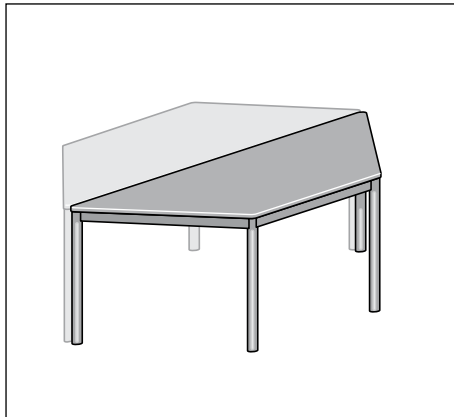
For chairs, see Chapter Accessories.

Conference table



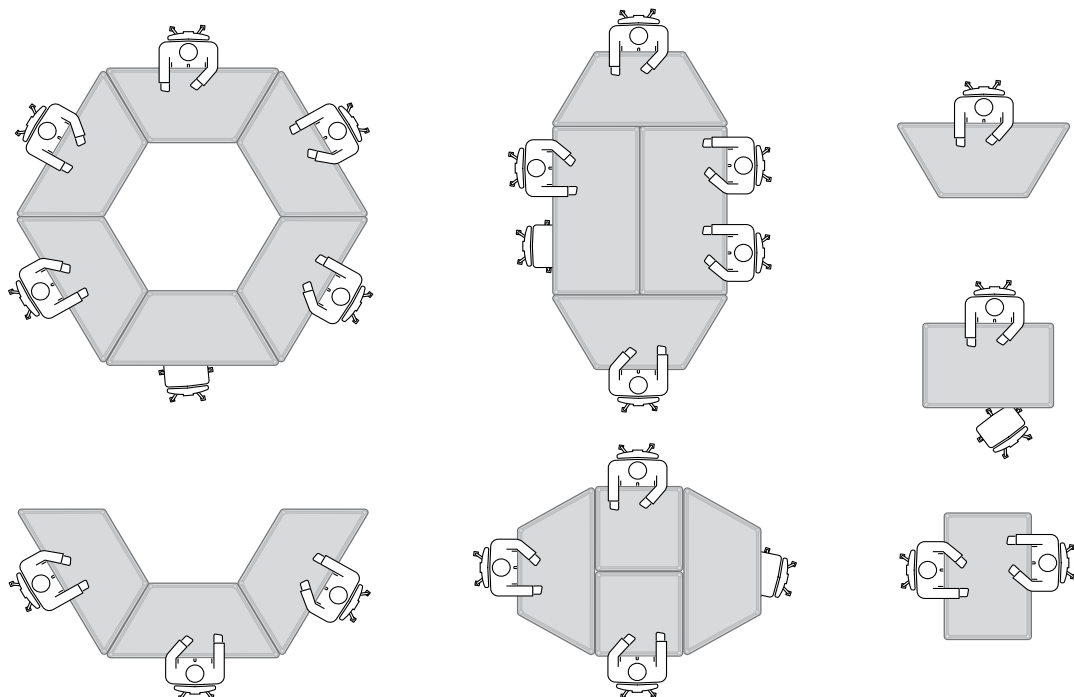
Technical data	Width	Depth	Height	Order no.
Rectangular	1600 x	800 x	720	08-1A
	1200 x	800 x	720	08-1B
Square	800 x	800 x	720	08-1C

Conference table



Technical data	Width	Depth	Height	Order no.
Trapezoidal	1600 x (800)	800 x	720	08-1D
Colour: light grey				
	Dimensions in mm			

Placement variants





### 3 Designs

Elabo table base cabinets can be supplied either as suspended base cabinets or as floor cabinets. Using the castor set, the suspended base cabinets can be retrofitted to make roller containers.

### Material

The cabinet unit and front panels are made of a 19 mm-thick multiple-layer plywood and the surface is directly coated. All edges are covered with a 2 mm-thick plastic edge.

### Drawers

The drawers consist of black coated steel plate with a grid with rows of holes for a continuous arrangement system, hidden metal ball bearing guide with 70 % pullout. Base cabinets in which all drawers are fitted with full telescopic pullouts are also available as an option.

### Central locking

Locking system-capable central locking system, can be combined with all cabinet systems (except for steel plate cabinets)

### Accessories

Every base cabinet with drawers is equipped in the standard series with a formed compartment made of plastic. This lies against the side of the steel drawers and can therefore be pushed downwards. In this way, small parts can be stored in a space-saving, orderly manner. And you have them quickly to hand when you need them.





### Internal drawer dimensions

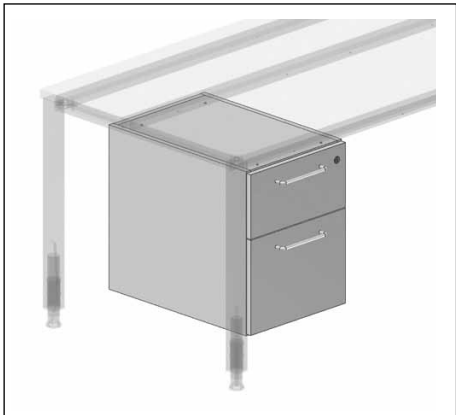

Unit of height = 2 HU	Effective height	90 mm
Unit of height = 3 HU	Effective height	140 mm
Unit of height = 4 HU	Effective height	190 mm
Unit of height = 6 HU	Effective height	290 mm



Drawer width, standardised 327 mm  
 Drawer depth (with a unit depth of 600 mm) 490 mm  
 Drawer depth (with a unit depth of 850 mm) 690 mm



### Drawer load capacity

Partial pullout 250 N

Base cabinet		Technical data		Width	Depth	Height	Order no.
		1 drawer	3 HU	420 x	620x	175	E5-1A
		1 formed compartment					
		1 lock					
		ESD design		420 x	620x	175	E5-4A

Base cabinet		Technical data		Width	Depth	Height	Order no.
		1 drawer	4 HU	420 x	620x	540	E5-1C
		1 drawer	6 HU				
		1 formed compartment					
		1 lock					
		ESD design		420 x	620x	540	E5-4C

Base cabinet		Technical data		Width	Depth	Height	Order no.
		1 drawer	3 HU	420 x	620x	540	E5-1E
		1 drawer	3 HU				
		1 drawer	4 HU				
		1 formed compartment					
		1 lock					
		ESD design		420 x	620x	540	E5-4E

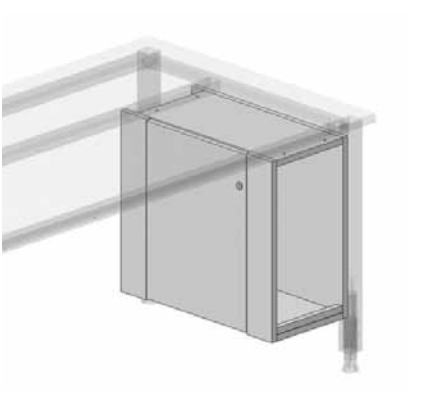

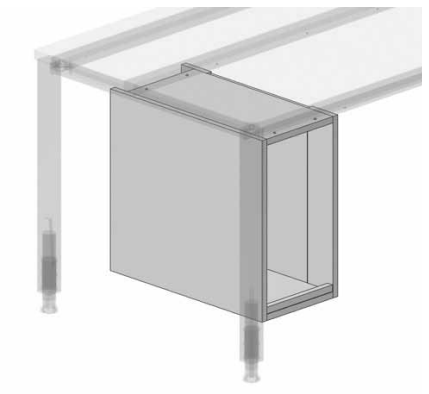

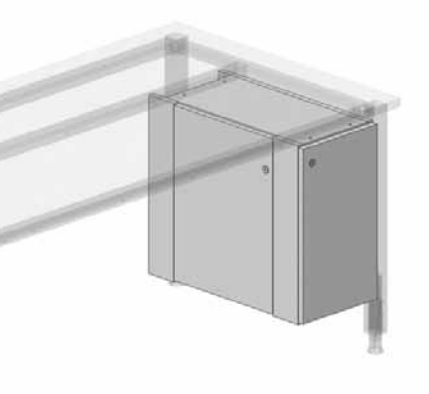



Base cabinet		Technical data		Width	Depth	Height	Order no.
		1 drawer	3 HU	420 x	620 x	540	E5-1F
		1 drawer	2 HU				
		1 drawer	2 HU				
		1 drawer	3 HU				
		1 formed compartment					
		1 lock					
		ESD design		420 x	620 x	540	E5-4F

Dimensions in mm

Suspended base cabinets can easily be retrofitted to form mobile roller containers by using the castor set. The double swivel castors have a diameter of 50 mm; two of the castors are lockable. The drawer pullouts are fitted with mutual door locking.

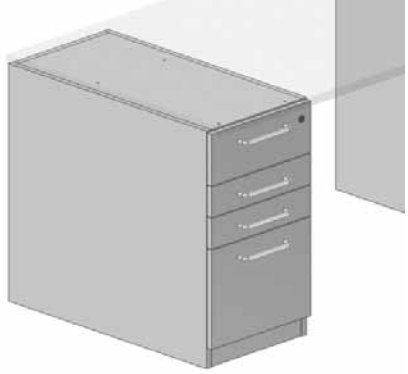



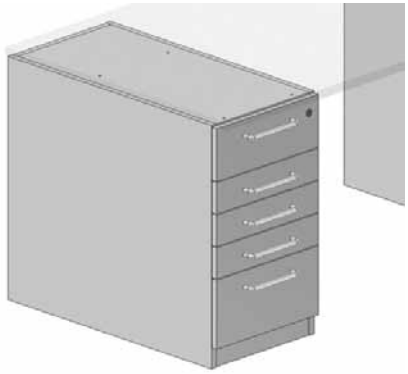



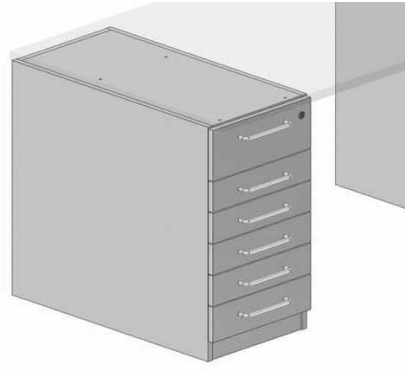



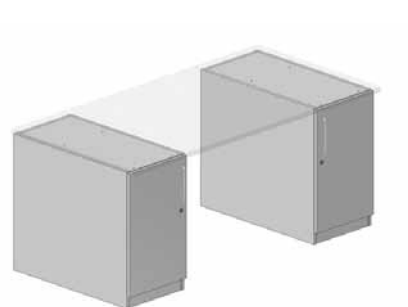






Base cabinet		Technical data	Width	Depth	Height	Order no.
		1 folding door, right 1 adjustable shelf 1 lock	420 x	620 x	540	E5-1J
		ESD design 	420 x	620 x	540	E5-4J
Base cabinet		Technical data	Width	Depth	Height	Order no.
		1 folding door, left 1 adjustable shelf 1 lock	420 x	620 x	540	E5-1K
		ESD design 	420 x	620 x	540	E5-4K
Roller set		Technical data	Width	Depth	Height	Order no.
		4 swivel castors, 50 mm in diameter, two of these lockable 1 cover plate 25 mm	425 x	635 x	25	E5-1P
		ESD design 	425 x	635 x	25	E5-4P
Formed compartment		Technical data	Width	Depth	Height	Order no.
		1 formed compartment to place on a a steel drawer	325 x	200 x	40	E5-1X
		Colour: black				
			Dimensions in mm			

PC base cabinets are available for safe storage of PCs which can also be supplied with lockable front doors. The side door available in the standard series means that PCs always remain accessible for installation.

PC base cabinet		<p>Technical data</p> <p>Left side wall with lockable door for access to the PC plug connectors. The rear wall has a ventilation grille. Clearance height inside 500 mm.</p> <p>ESD design </p>	<table border="1"> <thead> <tr> <th>Width</th> <th>Depth</th> <th>Height</th> </tr> </thead> <tbody> <tr> <td>300 x</td> <td>600 x</td> <td>540</td> </tr> <tr> <td>300 x</td> <td>600 x</td> <td>540</td> </tr> </tbody> </table>	Width	Depth	Height	300 x	600 x	540	300 x	600 x	540	<table border="1"> <thead> <tr> <th>Order no.</th> </tr> </thead> <tbody> <tr> <td>E5-1R</td> </tr> <tr> <td>E5-4R</td> </tr> </tbody> </table>	Order no.	E5-1R	E5-4R
Width	Depth	Height														
300 x	600 x	540														
300 x	600 x	540														
Order no.																
E5-1R																
E5-4R																
PC base cabinet		<p>Technical data</p> <p>Right side wall with lockable door for access to the PC plug connectors. The rear wall has a ventilation grille. Clearance height inside 500 mm.</p> <p>ESD design </p>	<table border="1"> <thead> <tr> <th>Width</th> <th>Depth</th> <th>Height</th> </tr> </thead> <tbody> <tr> <td>300 x</td> <td>600 x</td> <td>540</td> </tr> <tr> <td>300 x</td> <td>600 x</td> <td>540</td> </tr> </tbody> </table>	Width	Depth	Height	300 x	600 x	540	300 x	600 x	540	<table border="1"> <thead> <tr> <th>Order no.</th> </tr> </thead> <tbody> <tr> <td>E5-1S</td> </tr> <tr> <td>E5-4S</td> </tr> </tbody> </table>	Order no.	E5-1S	E5-4S
Width	Depth	Height														
300 x	600 x	540														
300 x	600 x	540														
Order no.																
E5-1S																
E5-4S																
PC base cabinet		<p>Technical data</p> <p>Right-hand front door and left-hand side wall with doors for access to the PC plug connectors. Both doors are lockable. The rear wall has a ventilation grille. Clearance height inside 500 mm.</p> <p>ESD design </p>	<table border="1"> <thead> <tr> <th>Width</th> <th>Depth</th> <th>Height</th> </tr> </thead> <tbody> <tr> <td>300 x</td> <td>600 x</td> <td>540</td> </tr> <tr> <td>300 x</td> <td>600 x</td> <td>540</td> </tr> </tbody> </table>	Width	Depth	Height	300 x	600 x	540	300 x	600 x	540	<table border="1"> <thead> <tr> <th>Order no.</th> </tr> </thead> <tbody> <tr> <td>E5-1R X01</td> </tr> <tr> <td>E5-4R X01</td> </tr> </tbody> </table>	Order no.	E5-1R X01	E5-4R X01
Width	Depth	Height														
300 x	600 x	540														
300 x	600 x	540														
Order no.																
E5-1R X01																
E5-4R X01																
PC base cabinet		<p>Technical data</p> <p>Left-hand front door and right side wall fitted with doors for access to PC plug connectors. Both doors are lockable. The rear wall has a ventilation grille. Clearance height inside 500 mm.</p> <p>ESD design </p>	<table border="1"> <thead> <tr> <th>Width</th> <th>Depth</th> <th>Height</th> </tr> </thead> <tbody> <tr> <td>300 x</td> <td>600 x</td> <td>540</td> </tr> <tr> <td>300 x</td> <td>600 x</td> <td>540</td> </tr> </tbody> </table>	Width	Depth	Height	300 x	600 x	540	300 x	600 x	540	<table border="1"> <thead> <tr> <th>Order no.</th> </tr> </thead> <tbody> <tr> <td>E5-1S X01</td> </tr> <tr> <td>E5-4S X01</td> </tr> </tbody> </table>	Order no.	E5-1S X01	E5-4S X01
Width	Depth	Height														
300 x	600 x	540														
300 x	600 x	540														
Order no.																
E5-1S X01																
E5-4S X01																

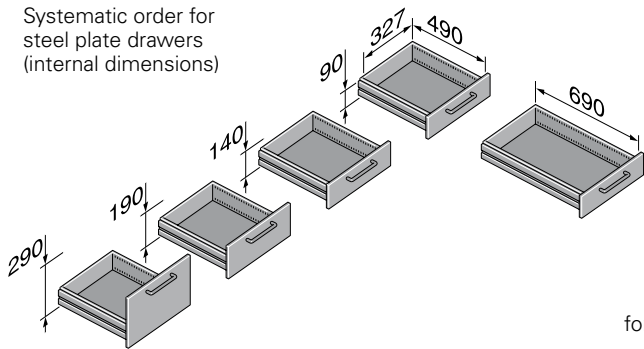
Dimensions in mm

The floor cabinets have a unit depth of 850 mm; the steel plate drawers have an effective depth of 690 mm. They can be used to build compact function units together with individual tabletops from the EcoTec<sup>SP</sup> range.

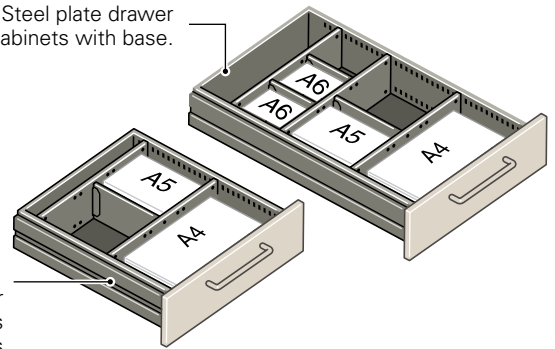
Base cabinet with base		<table border="1"> <thead> <tr> <th>Technical data</th> <th>Width</th> <th>Depth</th> <th>Height</th> <th>Order no.</th> </tr> </thead> <tbody> <tr> <td>1 drawer 3 HU 1 drawer 2 HU 1 drawer 2 HU 1 drawer 6 HU 1 formed compartment 1 lock</td> <td>420 x</td> <td>850 x</td> <td>750</td> <td>E5-5F</td> </tr> <tr> <td>ESD design </td> <td>420 x</td> <td>850 x</td> <td>750</td> <td>E5-9F</td> </tr> </tbody> </table>	Technical data	Width	Depth	Height	Order no.	1 drawer 3 HU 1 drawer 2 HU 1 drawer 2 HU 1 drawer 6 HU 1 formed compartment 1 lock	420 x	850 x	750	E5-5F	ESD design 	420 x	850 x	750	E5-9F										
Technical data	Width	Depth	Height	Order no.																							
1 drawer 3 HU 1 drawer 2 HU 1 drawer 2 HU 1 drawer 6 HU 1 formed compartment 1 lock	420 x	850 x	750	E5-5F																							
ESD design 	420 x	850 x	750	E5-9F																							
Base cabinet with base		<table border="1"> <thead> <tr> <th>Technical data</th> <th>Width</th> <th>Depth</th> <th>Height</th> <th>Order no.</th> </tr> </thead> <tbody> <tr> <td>1 drawer 3 HU 1 drawer 2 HU 1 drawer 2 HU 1 drawer 2 HU 1 drawer 4 HU 1 formed compartment 1 lock</td> <td>420 x</td> <td>850 x</td> <td>750</td> <td>E5-5G</td> </tr> <tr> <td>ESD design </td> <td>420 x</td> <td>850 x</td> <td>750</td> <td>E5-9G</td> </tr> </tbody> </table>	Technical data	Width	Depth	Height	Order no.	1 drawer 3 HU 1 drawer 2 HU 1 drawer 2 HU 1 drawer 2 HU 1 drawer 4 HU 1 formed compartment 1 lock	420 x	850 x	750	E5-5G	ESD design 	420 x	850 x	750	E5-9G										
Technical data	Width	Depth	Height	Order no.																							
1 drawer 3 HU 1 drawer 2 HU 1 drawer 2 HU 1 drawer 2 HU 1 drawer 4 HU 1 formed compartment 1 lock	420 x	850 x	750	E5-5G																							
ESD design 	420 x	850 x	750	E5-9G																							
Base cabinet with base		<table border="1"> <thead> <tr> <th>Technical data</th> <th>Width</th> <th>Depth</th> <th>Height</th> <th>Order no.</th> </tr> </thead> <tbody> <tr> <td>1 drawer 3 HU 1 drawer 2 HU 1 drawer 2 HU 1 drawer 2 HU 1 drawer 2 HU 1 drawer 2 HU 1 formed compartment 1 lock</td> <td>420 x</td> <td>850 x</td> <td>750</td> <td>E5-5H</td> </tr> <tr> <td>ESD design </td> <td>420 x</td> <td>850 x</td> <td>750</td> <td>E5-9H</td> </tr> </tbody> </table>	Technical data	Width	Depth	Height	Order no.	1 drawer 3 HU 1 drawer 2 HU 1 drawer 2 HU 1 drawer 2 HU 1 drawer 2 HU 1 drawer 2 HU 1 formed compartment 1 lock	420 x	850 x	750	E5-5H	ESD design 	420 x	850 x	750	E5-9H										
Technical data	Width	Depth	Height	Order no.																							
1 drawer 3 HU 1 drawer 2 HU 1 drawer 2 HU 1 drawer 2 HU 1 drawer 2 HU 1 drawer 2 HU 1 formed compartment 1 lock	420 x	850 x	750	E5-5H																							
ESD design 	420 x	850 x	750	E5-9H																							
Base cabinet with base		<table border="1"> <thead> <tr> <th>Technical data</th> <th>Width</th> <th>Depth</th> <th>Height</th> <th>Order no.</th> </tr> </thead> <tbody> <tr> <td>1 folding door, right 1 adjustable shelf 1 lock</td> <td>420 x</td> <td>850 x</td> <td>750</td> <td>E5-5J</td> </tr> <tr> <td>ESD design </td> <td>420 x</td> <td>850 x</td> <td>750</td> <td>E5-9J</td> </tr> <tr> <td>1 folding door, left 1 adjustable shelf 1 lock</td> <td>420 x</td> <td>850 x</td> <td>750</td> <td>E5-5K</td> </tr> <tr> <td>ESD design </td> <td>420 x</td> <td>850 x</td> <td>750</td> <td>E5-9K</td> </tr> </tbody> </table> <p>Dimensions in mm</p>	Technical data	Width	Depth	Height	Order no.	1 folding door, right 1 adjustable shelf 1 lock	420 x	850 x	750	E5-5J	ESD design 	420 x	850 x	750	E5-9J	1 folding door, left 1 adjustable shelf 1 lock	420 x	850 x	750	E5-5K	ESD design 	420 x	850 x	750	E5-9K
Technical data	Width	Depth	Height	Order no.																							
1 folding door, right 1 adjustable shelf 1 lock	420 x	850 x	750	E5-5J																							
ESD design 	420 x	850 x	750	E5-9J																							
1 folding door, left 1 adjustable shelf 1 lock	420 x	850 x	750	E5-5K																							
ESD design 	420 x	850 x	750	E5-9K																							

There are various organisation aids available for division and user-friendly fitting of steel plate drawers. The drawer clearance width is a standardised 326 mm. At a unit depth of 600 mm, the drawer has an effective depth of 490 mm, at a unit depth of 850 mm, the drawer has an effective depth of 690 mm.

Systematic order for steel plate drawers (internal dimensions)

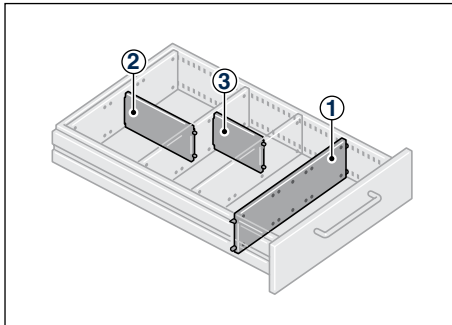


Steel plate drawer for base cabinets with base.



Steel plate drawer for suspended base cabinets and roller containers

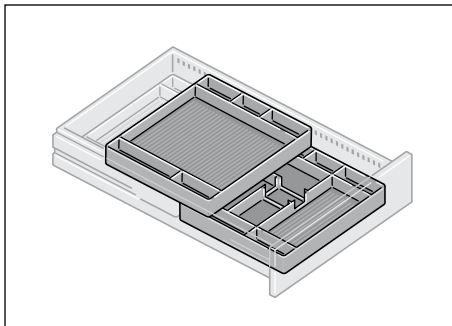
Partition/compartiment divider



Technical data  
 Partition, black metal, for transverse drawer division  
 Compartment divider, black metal, for additional divisions in connection with partition  
 07-7A  
 DIN A5  
 DIN A6

Width	Depth	Height	Order no.
326 x	10 x	76	07-7A
220 x	1 x	72	07-7D
150 x	1 x	72	07-7E

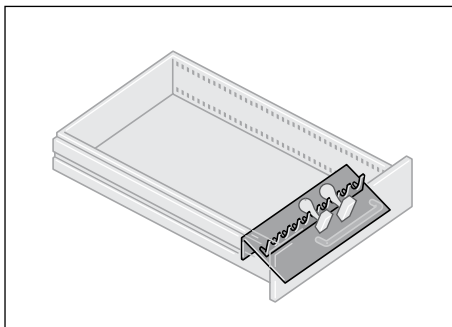
Tray insert



Technical data  
 black plastic  
 With 4 divisions  
 With 9 divisions

Width	Depth	Height	Order no.
325 x	325 x	40	07-7M
325 x	325 x	40	07-7N

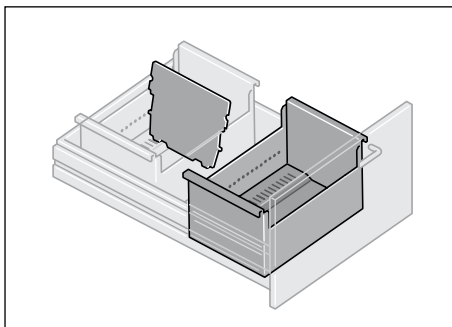
Stamp insert



Technical data  
 For 8 stamps and date stamps, black metal

Width	Depth	Height	Order no.
325 x	105 x	35	07-7J

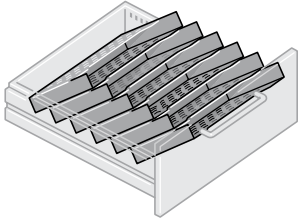
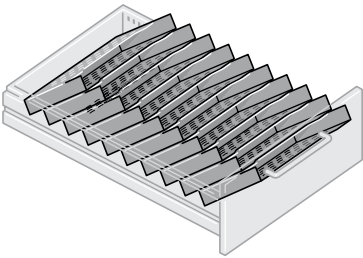
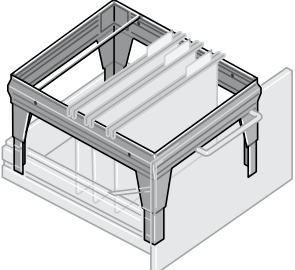
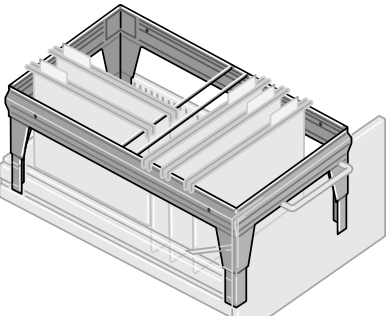
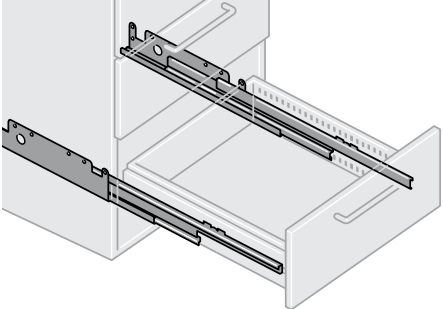
Card index box



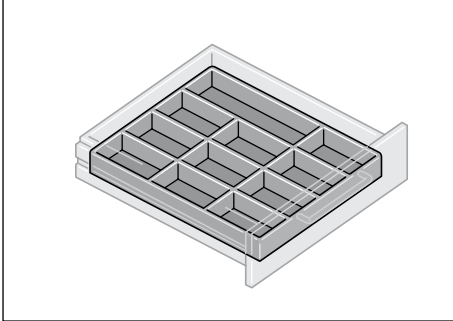
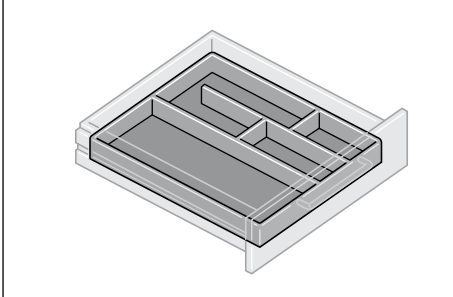
Technical data  
 Card index box A5 across  
 Black metal  
 Swivel support, A5 across  
 Black metal

Width	Depth	Height	Order no.
229 x	324 x	155	07-7K
226/211	x	147	07-7L

Dimensions in mm

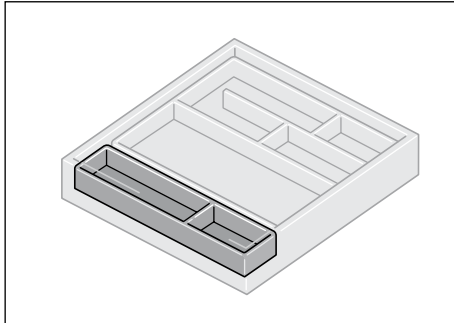
Form storage set		Technical data	Width Depth Height	Order no.
6x		For forms size DIN A4, black plastic, For drawers, depth 490 mm, required drawer height 4 HU	326 x 490 x 140	07-7P
Form storage set		Technical data	Width Depth Height	Order no.
11x		For forms size DIN A4, black plastic, For drawers, depth 690 mm, required drawer height 4 HU	326 x 690 x 160	07-7Q
Hanging filing system		Technical data	Width Depth Height	Order no.
		Insertable A4 hanging frame with 1 separator bar, black metal. For drawers with a depth of 490 mm, required cabinet height 6 HU	326 x 490 x 245	07-7S
Hanging filing system		Technical data	Width Depth Height	Order no.
		Insertable A4 hanging frame with 2 separator bars, black metal. For drawers with a depth of 690 mm, required cabinet height 6 HU	326 x 690 x 245	07-7T
Full telescopic pullout		Technical data	Width Depth Height	Order no.
		For drawers, depth 490 mm For drawers, depth 690 mm	Dimensions in mm	07-9A 07-9B

One-part, removable deep-drawing polystyrene moulded trays made of grey plastic. A filler tray is available for the drawer with an effective depth of 690 mm. The moulded trays can be used in the same way in the laboratory and office cabinet system drawers.

Moulded tray		<b>Technical data</b>  Made of grey polystyrene with 20 compartments	<table border="1"> <thead> <tr> <th>Width</th> <th>Depth</th> <th>Height</th> </tr> </thead> <tbody> <tr> <td>326</td> <td>x 470</td> <td>x 35</td> </tr> </tbody> </table>	Width	Depth	Height	326	x 470	x 35	<table border="1"> <thead> <tr> <th>Order no.</th> </tr> </thead> <tbody> <tr> <td>07-8A</td> </tr> </tbody> </table>	Order no.	07-8A
Width	Depth	Height										
326	x 470	x 35										
Order no.												
07-8A												
Moulded tray		<b>Technical data</b>  Made of grey polystyrene with 11 compartments	<table border="1"> <thead> <tr> <th>Width</th> <th>Depth</th> <th>Height</th> </tr> </thead> <tbody> <tr> <td>326</td> <td>x 470</td> <td>x 35</td> </tr> </tbody> </table>	Width	Depth	Height	326	x 470	x 35	<table border="1"> <thead> <tr> <th>Order no.</th> </tr> </thead> <tbody> <tr> <td>07-8B</td> </tr> </tbody> </table>	Order no.	07-8B
Width	Depth	Height										
326	x 470	x 35										
Order no.												
07-8B												
Moulded tray		<b>Technical data</b>  Made of grey polystyrene with 9 compartments	<table border="1"> <thead> <tr> <th>Width</th> <th>Depth</th> <th>Height</th> </tr> </thead> <tbody> <tr> <td>326</td> <td>x 470</td> <td>x 35</td> </tr> </tbody> </table>	Width	Depth	Height	326	x 470	x 35	<table border="1"> <thead> <tr> <th>Order no.</th> </tr> </thead> <tbody> <tr> <td>07-8C</td> </tr> </tbody> </table>	Order no.	07-8C
Width	Depth	Height										
326	x 470	x 35										
Order no.												
07-8C												
Moulded tray		<b>Technical data</b>  Made of grey polystyrene with 8 compartments	<table border="1"> <thead> <tr> <th>Width</th> <th>Depth</th> <th>Height</th> </tr> </thead> <tbody> <tr> <td>326</td> <td>x 470</td> <td>x 35</td> </tr> </tbody> </table>	Width	Depth	Height	326	x 470	x 35	<table border="1"> <thead> <tr> <th>Order no.</th> </tr> </thead> <tbody> <tr> <td>07-8D</td> </tr> </tbody> </table>	Order no.	07-8D
Width	Depth	Height										
326	x 470	x 35										
Order no.												
07-8D												
Moulded tray		<b>Technical data</b>  Made of grey polystyrene with 5 compartments	<table border="1"> <thead> <tr> <th>Width</th> <th>Depth</th> <th>Height</th> </tr> </thead> <tbody> <tr> <td>326</td> <td>x 470</td> <td>x 35</td> </tr> </tbody> </table>	Width	Depth	Height	326	x 470	x 35	<table border="1"> <thead> <tr> <th>Order no.</th> </tr> </thead> <tbody> <tr> <td>07-8E</td> </tr> </tbody> </table>	Order no.	07-8E
Width	Depth	Height										
326	x 470	x 35										
Order no.												
07-8E												

Dimensions in mm

Filler tray

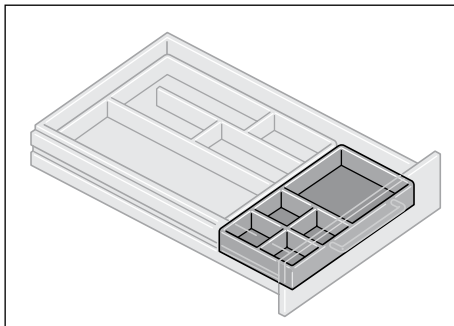


Technical data

Made of grey polystyrene with 2 compartments, only for tall cabinet wooden drawers, type 07-2E

Width	Depth	Height	Order no.
80 x	470 x	35	07-8F

Filler tray



Technical data

Made of grey polystyrene with 5 compartments, For steel plate drawers With effective depth 690 mm

Width	Depth	Height	Order no.
326 x	205 x	35	07-8G

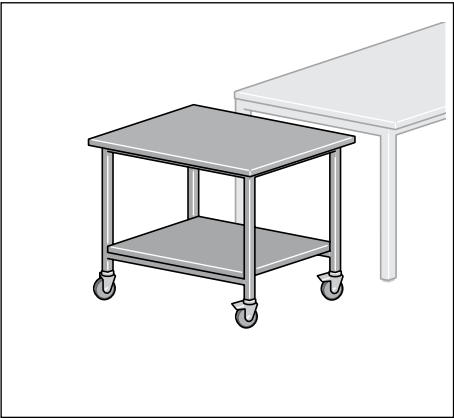

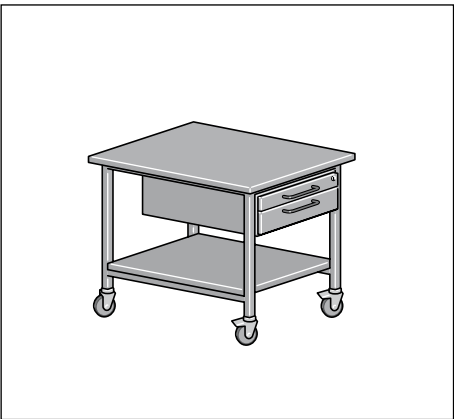
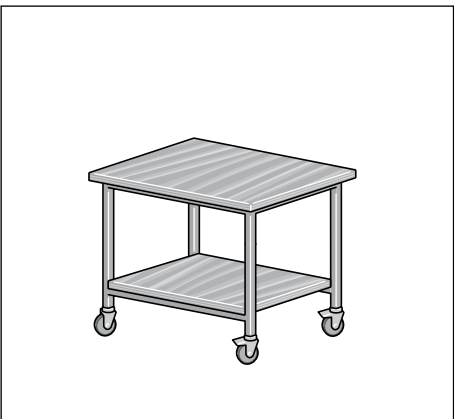
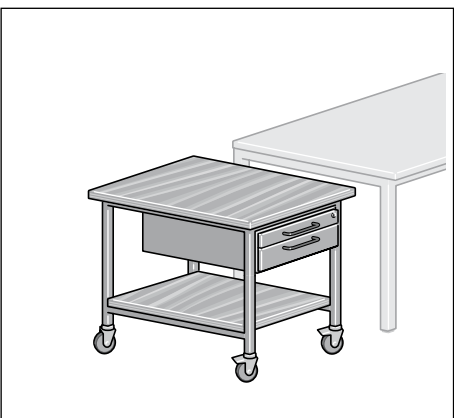
Dimensions in mm



Three tool sets with foam inserts are available which are suitable for all Elabo base cabinets and roller containers. We would be happy to send you the respective datasheet.



The mobile workshop and laboratory trolley - an expedient additional unit in laboratories. Also suitable as a side table to extend the table width. Tabletop and intermediate shelf (can also be made from multiplex) are 30 mm thick. The strong, powder coated base frame is made of 30 x 30 x 2 mm steel pipe, 4 rubber swivel castors 75 mm diameter, 2 of these lockable. Max. permitted total weight 165 kg.

<p>Laboratory trolley</p> 	<p>Technical data</p> <p>Tabletop and storage shelf 30 mm thick, covered with laminate, edges with impact-resistant edge strips</p> <p>ESD design </p>	<table border="1"> <thead> <tr> <th>Width</th> <th>Depth</th> <th>Height</th> </tr> </thead> <tbody> <tr> <td>600 x</td> <td>900 x</td> <td>780</td> </tr> <tr> <td>600 x</td> <td>1000 x</td> <td>780</td> </tr> <tr> <td>600 x</td> <td>900 x</td> <td>780</td> </tr> <tr> <td>600 x</td> <td>1000 x</td> <td>780</td> </tr> </tbody> </table>	Width	Depth	Height	600 x	900 x	780	600 x	1000 x	780	600 x	900 x	780	600 x	1000 x	780	<table border="1"> <thead> <tr> <th>Order no.</th> </tr> </thead> <tbody> <tr> <td>01-6A</td> </tr> <tr> <td>01-6U</td> </tr> <tr> <td>01-5U</td> </tr> <tr> <td>01-5V</td> </tr> </tbody> </table>	Order no.	01-6A	01-6U	01-5U	01-5V
Width	Depth	Height																					
600 x	900 x	780																					
600 x	1000 x	780																					
600 x	900 x	780																					
600 x	1000 x	780																					
Order no.																							
01-6A																							
01-6U																							
01-5U																							
01-5V																							
<p>Laboratory trolley with drawer</p> 	<p>Technical data</p> <p>With single drawer Type 71-1A, tabletop and storage shelf 30 mm thick, covered with laminate, edges with impact-resistant edge strips</p>	<table border="1"> <thead> <tr> <th>Width</th> <th>Depth</th> <th>Height</th> </tr> </thead> <tbody> <tr> <td>600 x</td> <td>900 x</td> <td>780</td> </tr> <tr> <td>600 x</td> <td>1000 x</td> <td>780</td> </tr> </tbody> </table>	Width	Depth	Height	600 x	900 x	780	600 x	1000 x	780	<table border="1"> <thead> <tr> <th>Order no.</th> </tr> </thead> <tbody> <tr> <td>01-6S</td> </tr> <tr> <td>01-6V</td> </tr> </tbody> </table>	Order no.	01-6S	01-6V								
Width	Depth	Height																					
600 x	900 x	780																					
600 x	1000 x	780																					
Order no.																							
01-6S																							
01-6V																							
<p>Laboratory trolley, Multiplex plate</p> 	<p>Technical data</p> <p>Multiplex tabletop and storage shelf made of 14 glued plywood layers, 30 mm thick</p>	<table border="1"> <thead> <tr> <th>Width</th> <th>Depth</th> <th>Height</th> </tr> </thead> <tbody> <tr> <td>600 x</td> <td>900 x</td> <td>780</td> </tr> </tbody> </table>	Width	Depth	Height	600 x	900 x	780	<table border="1"> <thead> <tr> <th>Order no.</th> </tr> </thead> <tbody> <tr> <td>01-6C</td> </tr> </tbody> </table>	Order no.	01-6C												
Width	Depth	Height																					
600 x	900 x	780																					
Order no.																							
01-6C																							
<p>Laboratory trolley Multiplex panel with drawer</p> 	<p>Technical data</p> <p>Laboratory trolley with single drawer Type 71-1A, Multiplex tabletop and storage shelf made of 14 glued plywood layers, 30 mm thick</p> <p>Please specify colour variant</p>	<table border="1"> <thead> <tr> <th>Width</th> <th>Depth</th> <th>Height</th> </tr> </thead> <tbody> <tr> <td>600 x</td> <td>900 x</td> <td>780</td> </tr> </tbody> </table> <p>Dimensions in mm</p>	Width	Depth	Height	600 x	900 x	780	<table border="1"> <thead> <tr> <th>Order no.</th> </tr> </thead> <tbody> <tr> <td>01-6T</td> </tr> </tbody> </table>	Order no.	01-6T												
Width	Depth	Height																					
600 x	900 x	780																					
Order no.																							
01-6T																							